

- Requirements
- Scenarios
- Governance
- Budget



- Acquire
- Edit
- Localize
- Metadata

- Modeling
- Configure
- Structure
- Repository

INSTALLATION GUIDE
intellibeam

Effective April 2018



INTELLI BEAM INSTALLATION GUIDE

List of Tools P.03

Wiring Schematic P.04

Intelli Beam P.05

Electric P.06

Base Feed and Base Feed Cover 6
Power Distribution Housing 6

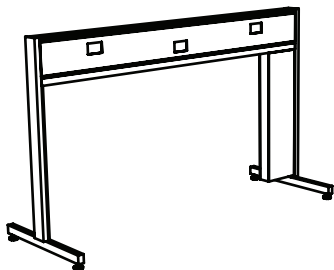
Extension Modules P.07

Please contact your Global CustomerCare Representative at 800-220-1900 for any questions or concerns.

NOTE: Any alterations to listed components will void the manufacturer's warranty. The manufacturer will not be responsible for any damage or bodily harm caused by alterations in accordance with national or local electrical codes and manufacturer's

specifications. In accordance with the manufacturer's policy of continual product improvement, the product presented in this document is subject to change without notice or obligation.

Required Tools

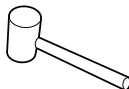


Required Tools

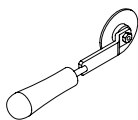
Safety Glasses



Rubber Mallet



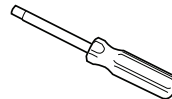
Fabric Spline Roller*



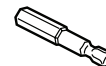
Power Drill (var speed, rev)



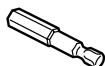
Magnetic drill bit holders



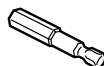
1/4" Nut-Driver



5/16" Nut-Driver



3/8" Nut-Driver



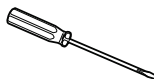
#2 Robertson Screwdriver



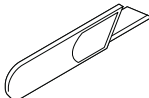
#3 Robertson Screwdriver



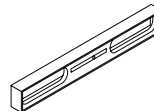
Large 1/4" Blade Screwdriver



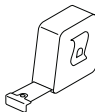
Utility Knife



48" Long Level



Tape Measure

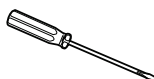


Gloves

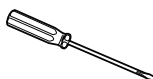


Additional items you may find useful:

#2 Phillips Screwdriver



#3 Phillips Screwdriver



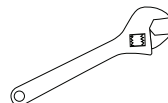
1/2" Wrench



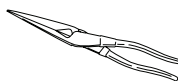
9/16" Wrench



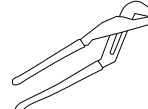
Adjustable 8" Wrench



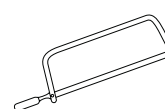
Needlenose Pliers



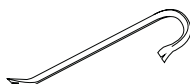
Large Channel Lock Pliers



Fine tooth Saw (Hacksaw)



General Purpose Prybar



Screws Used During Installation

1/2" Pan Head Screw



1/2" Pan Head Tapping Screw



* These Items are available through customer care at 800-220-1900.

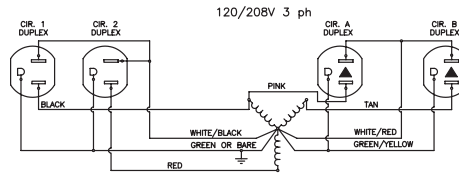
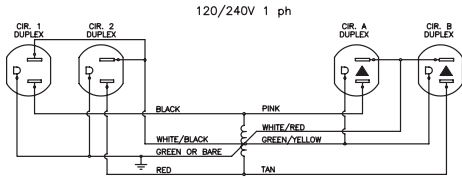
INTELLI BEAM INSTALLATION GUIDE

Wiring Schematic

4-2-2 Wiring Schematic

8-Wire Shared Neutral

"2 + 2" - 2 Utility Circuits, 2 Dedicated



8 Wires

- 4 Lines (12 ga.)
- 2 Neutrals (10 ga.)
- 2 Grounds (12 ga.)

4 Circuits

- 2 Utility circuits
- 2 Dedicated Circuits

Receptacles

- Duplex - Up to 12 duplex receptacles per circuit
- (Up to 48 per infeed)

Specifications

System rated for connection to a grounded 120/240 V single phase, 20A, 60Hz or 120/208 V, 3 phase, 20A, 60Hz branch circuit for U.S. and 15A if product is marked with a C-UL Mark. Outlets rated 15A max.

Intelli Beam

STEP 1: Connect the Intelli Beam **(a)** to the connectors using four clamps **(b)**.

Two at the bottom, two at the top.

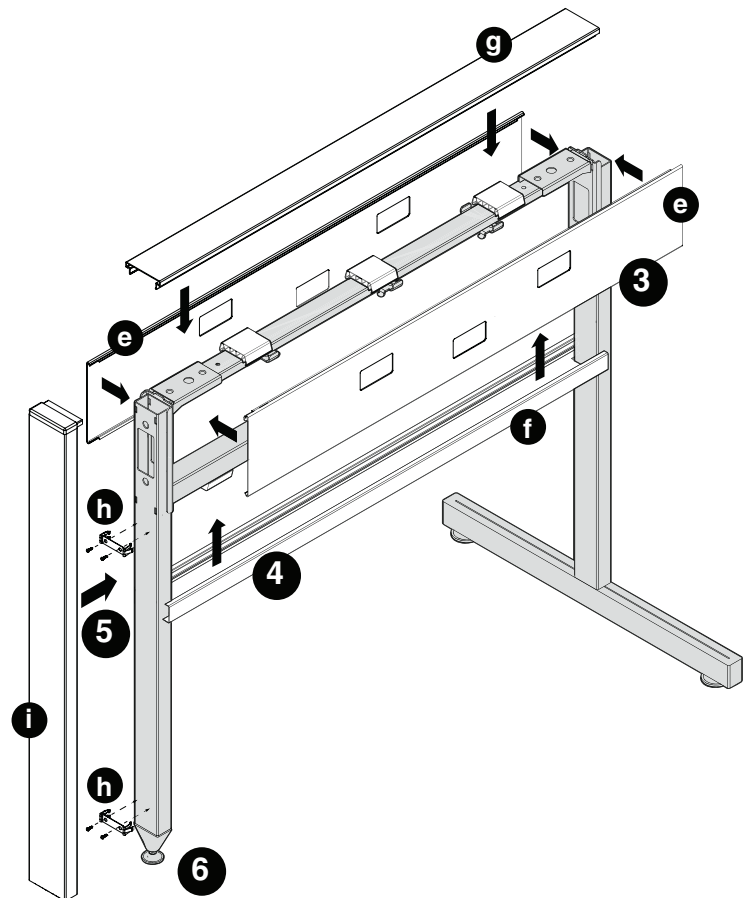
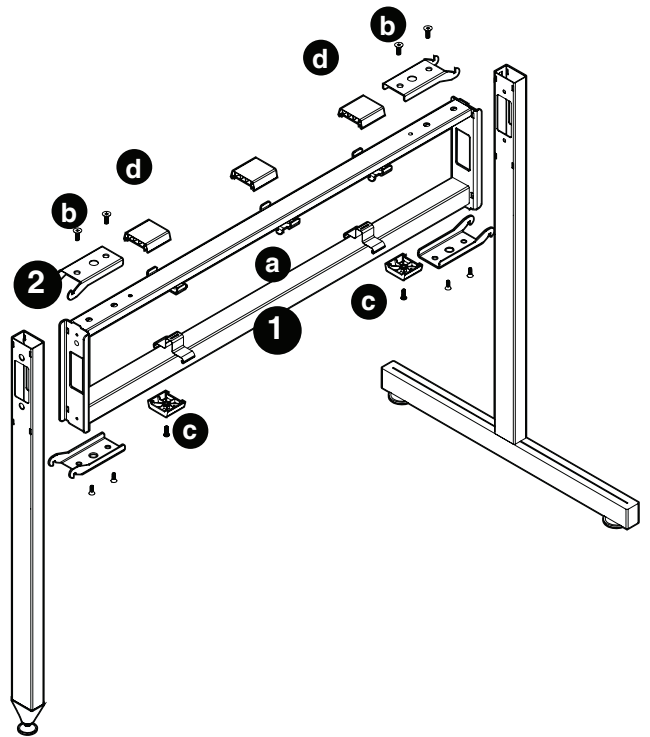
STEP 2: Attach the plastic blocks **(c)** to the bottom, and the spacers **(d)** to the top of the Intelli Beam.

STEP 3: Add a raceway cover **(e)** on either side of the Intelli Beam.

STEP 4: Install bottom trim **(f)** and top trim **(g)**.

STEP 5: Install the spring clips **(h)** using the supplied self drilling screws and snap on the end trims **(i)**.

STEP 6: Adjust levelers as needed.



INTELLI BEAM INSTALLATION GUIDE

Base Feed and Base Feed Cover

STEP 1: Hang the base feed on the slots above the "U" bracket and secure it with the provided zip tie.

STEP 2: Run the flexible portion of the feed through the opening in the bottom of the Intelli Beam.

STEP 3: Add the base feed cover and secure it using the two provided screws.

STEP 4: Snap on two spring clips to accept the end trim with end cap.

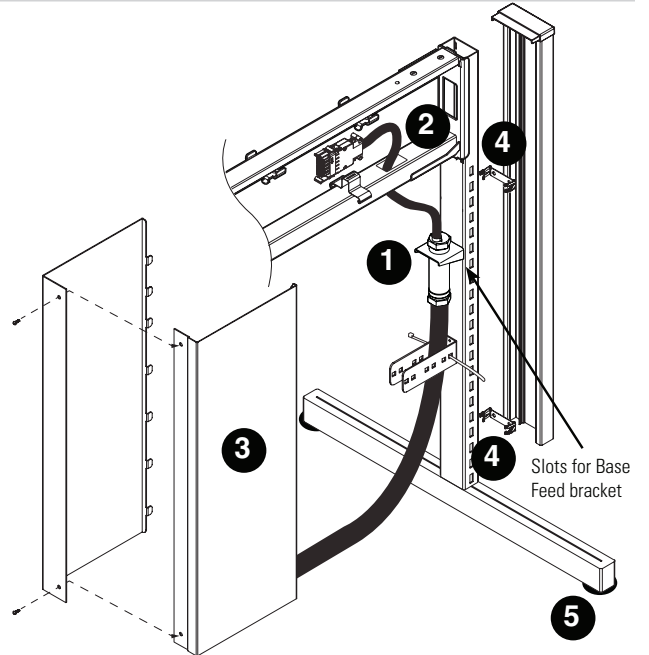
STEP 5: Adjust levelers as needed.

Note: There must be only one power feed entry into each cluster of stations.

Connection to the building supply must be done only by a licensed electrician, and in accordance with applicable codes and regulations.

Do not connect or disconnect components while the system is under load!

Disconnect the main power before servicing or reconfiguration

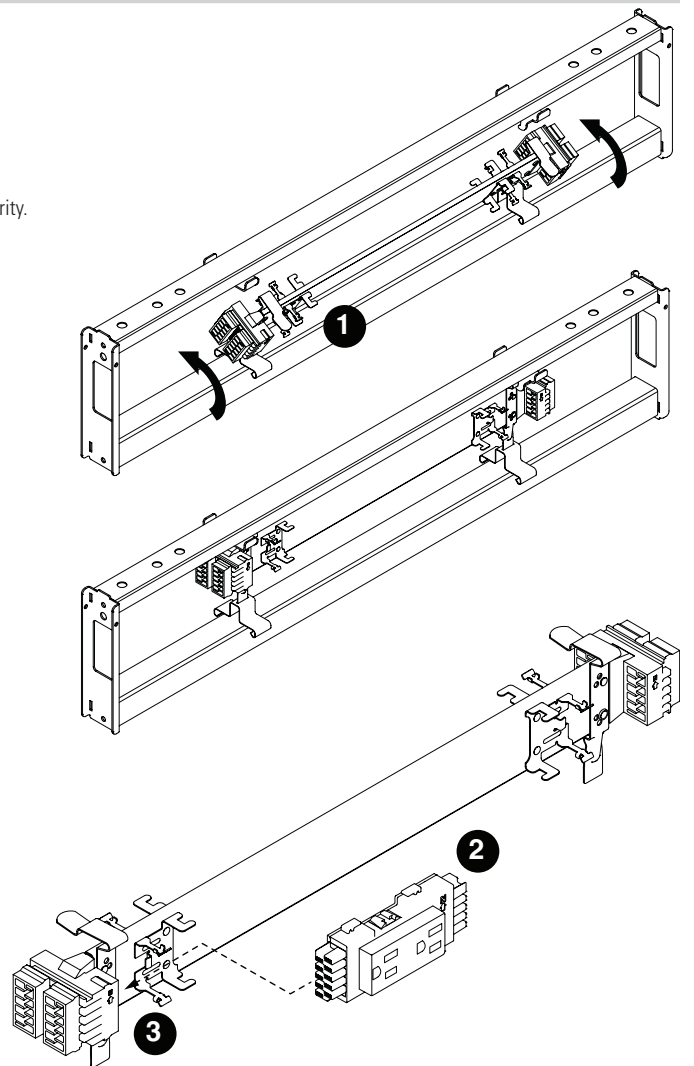


Power Distribution Housing

STEP 1: Insert the power distribution housing at an angle with the tabs facing down, into the corresponding slots. Push it in until it clicks.

STEP 2: Position the receptacle into the mounting bracket on the power distribution housing. There is an arrow and letter "N" to indicate which way is up.

STEP 3: Slide it towards the assembly connectors. Be sure the parts are fully seated to assure proper electrical connection and the spring clips are properly engaged for mechanical security.



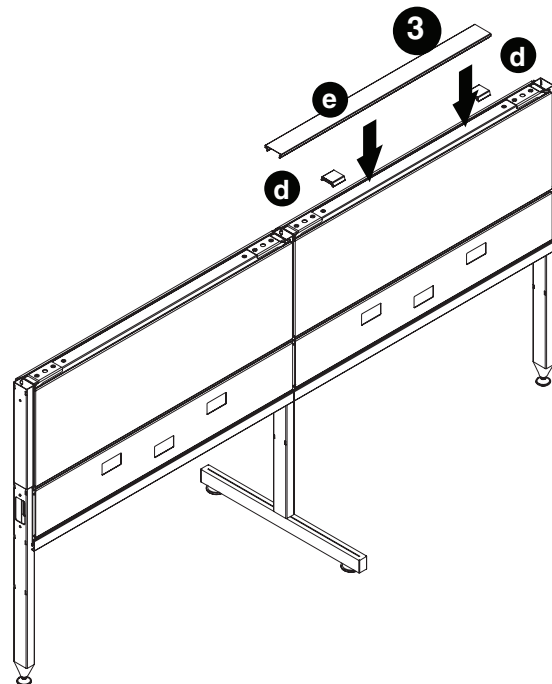
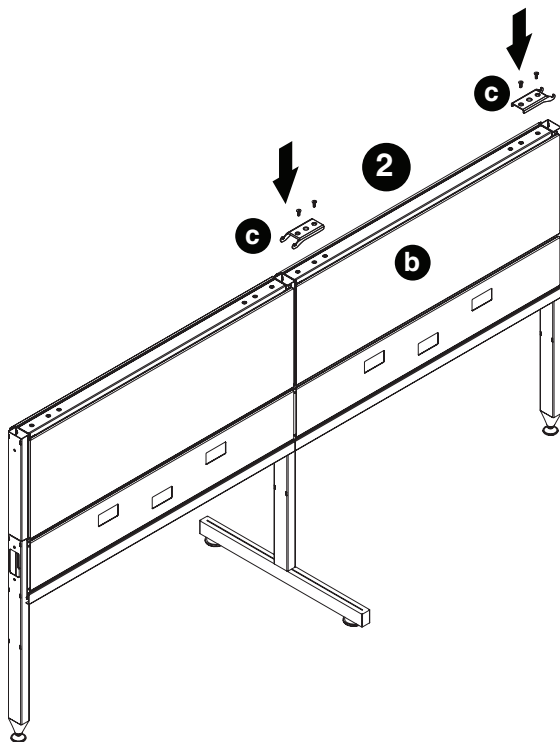
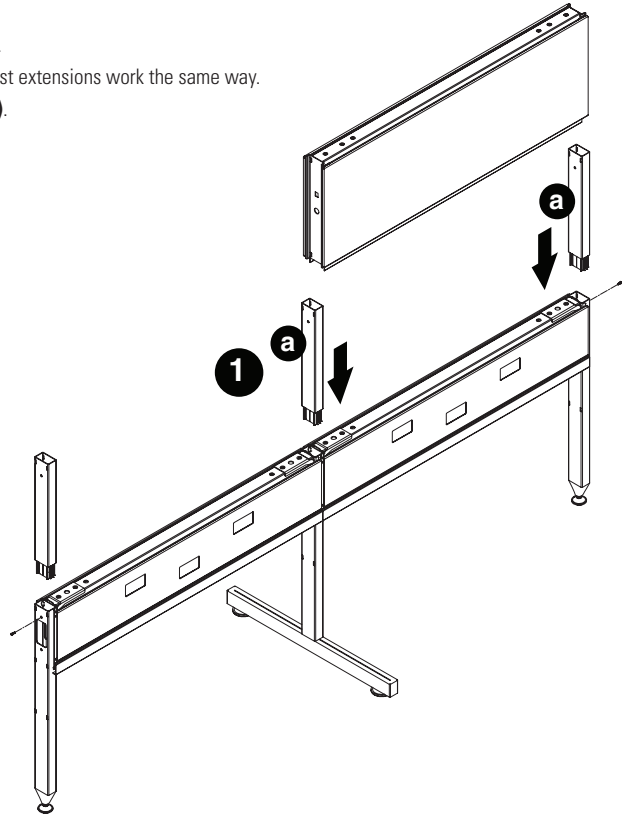
Intelli Beam - Extension Modules (Over Panels)

*Remove or do not install the plastic spacers (d). Remove or do not install the top trim yet (e).

STEP 1: Insert the extension connector (a) and secure it in place using the provided screw. Post extensions work the same way.

STEP 2: Slide in the module (b) and attach it to the extension connectors using the clamps (c).

STEP 3: Add two plastic spacers (d) on top and snap on the top trim (e).



INTELLI BEAM INSTALLATION GUIDE

Privacy Glass Installation Instructions

1. Remove screw



2. Install block and screw back using the same screw. It is important to start the installation from the middle panel.



3. Blocks installed



4. Peel off double sided tape



5. Install PVC spacer in the middle



6. Locate top trim and adjust sideways to the middle of the slot



7. Snap on block

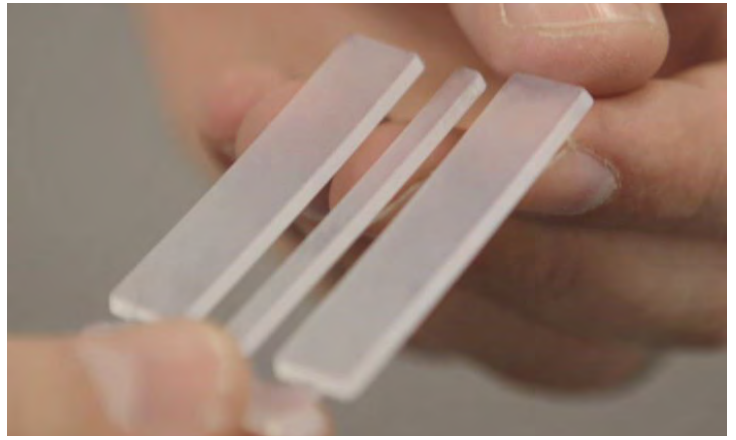


8. Install next top trim while ensuring that both trims are fully aligned

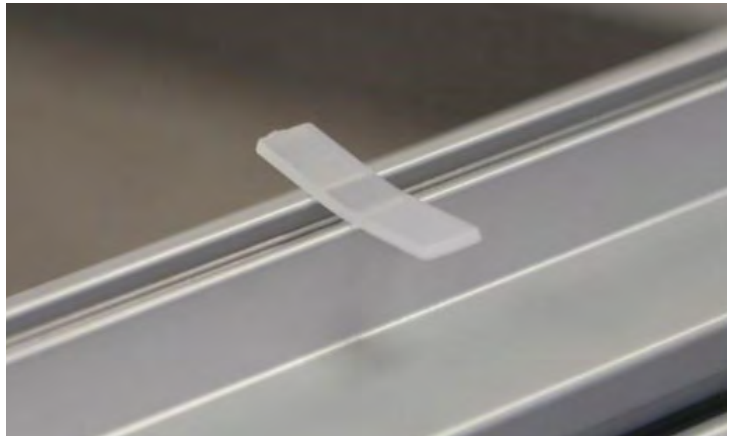


INTELLI BEAM INSTALLATION GUIDE

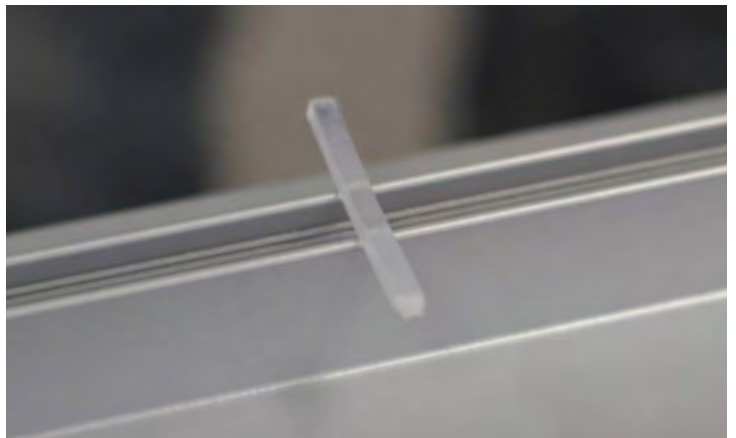
9. Plastic seal with grooves on the top side
For ease of installation, use 1/2" plastic seal



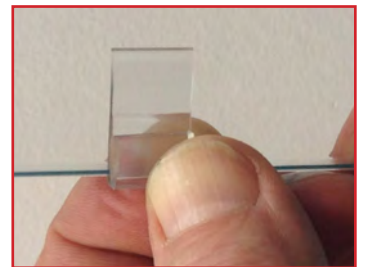
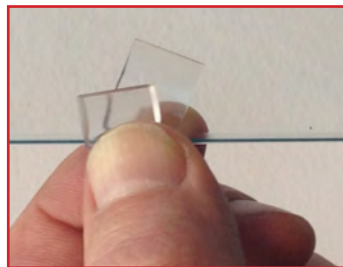
10. Place plastic seal on the head of the block screw with grooves facing down. Adjust the plastic seal symmetrically on the top of the trim on both sides.



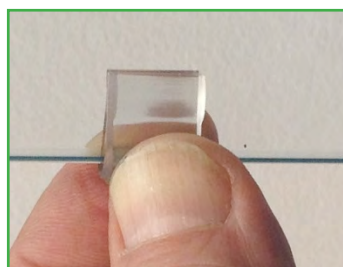
11. Place thin plastic seal in middle of trim



Incorrect plastic seal installation



Correct plastic seal installation



12. Hold privacy glass from both ends (2 people) and install privacy glass ensuring that the glass seal is fully aligned



13. If glass seal slides off place, pull glass up and re-install as indicated in the previous step



14. Logo should always be consistently on the same bottom corner. Ensure consistency with having the shiny sides of the privacy glass on the same side



INTELLI BEAM INSTALLATION GUIDE

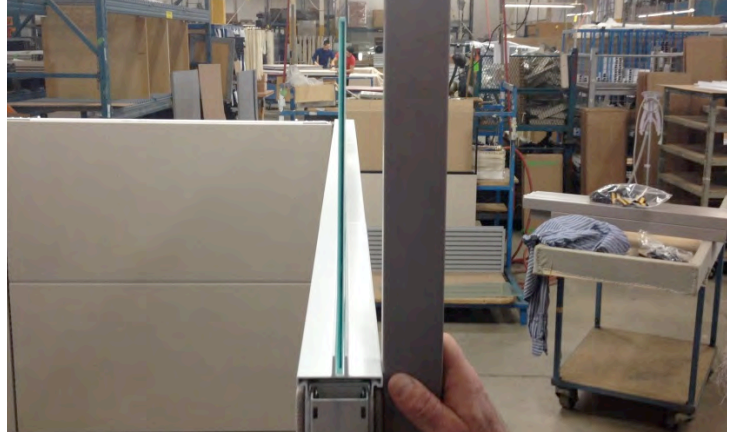
15. Ensure that the 2 adjacent privacy glass pieces are aligned and a tight gap is left between the 2 edges (3/32")



16. Installation of privacy glass is complete with shiny side out and log on the bottom left corner



17. Check the squareness of glass



18. If needed, pull in the opposite direction and check again



19. When installation is fully satisfactory, cut protruding plastic seal with exacto knife

