

Installation Guide

Effective February 2021

UNIVERSAL  
privacy panels

wellness solutions

global

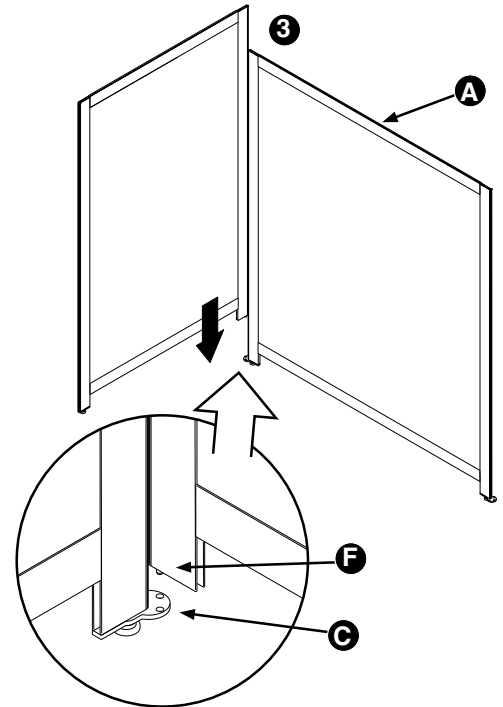
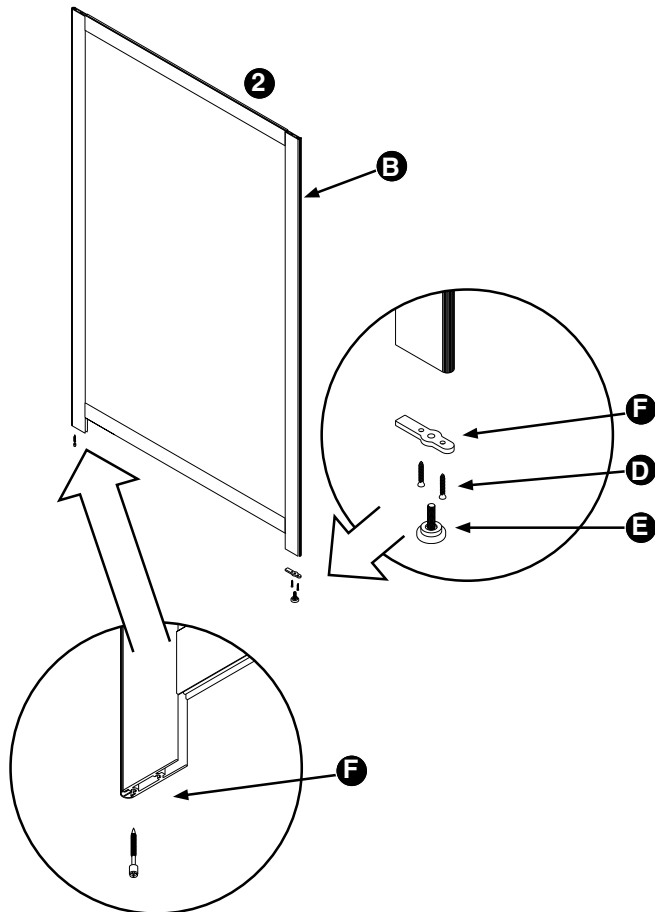
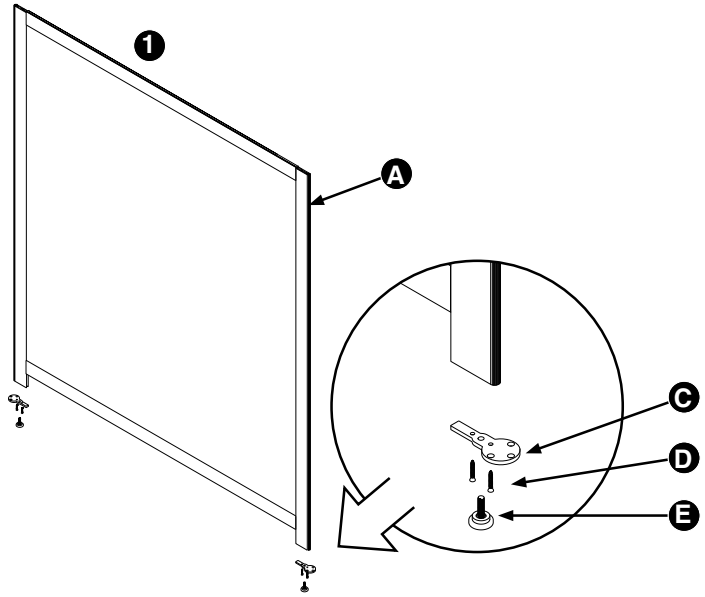
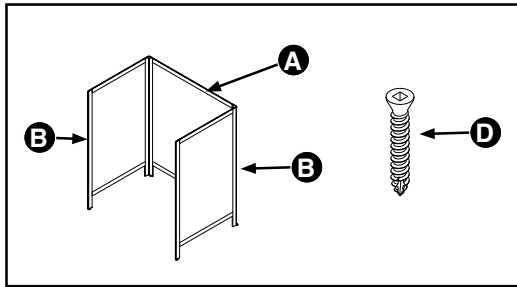
# UNIVERSAL PRIVACY PANELS INSTALLATION GUIDE

## “U” Configuration

STEP 1: Fasten the connector brackets (C) to the bottom of the back panel (A) on both sides with screws (D). Screw in the levelers (E) on both sides.

STEP 2: Fasten the Bottom End Cap Brackets (F) to the bottom of the each side panel (B). Screw in the levelers (E) on each side panel.

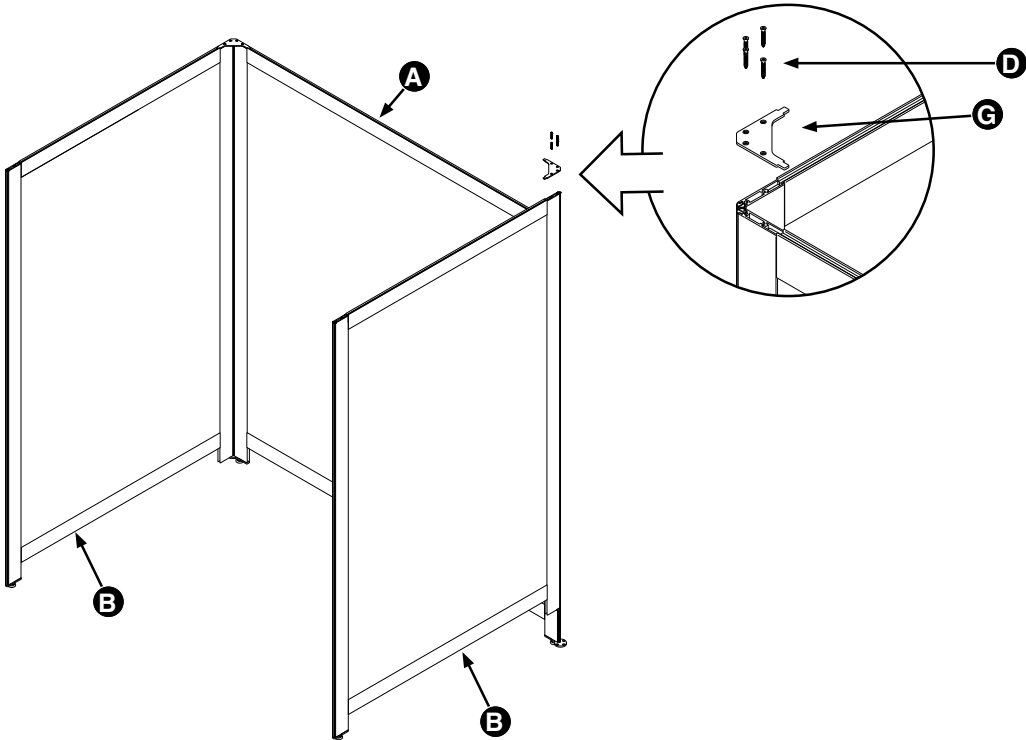
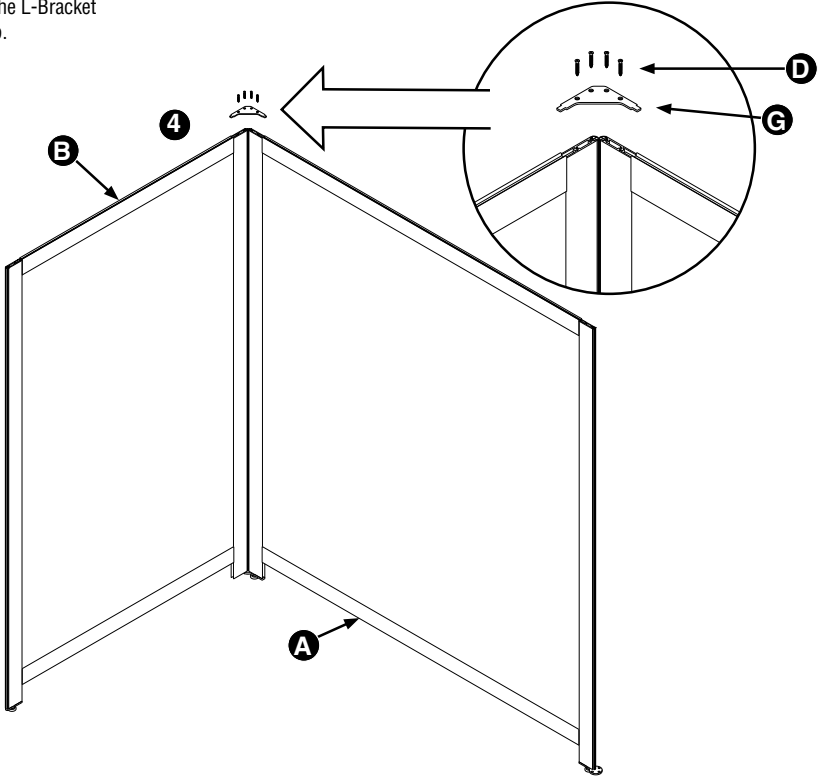
STEP 3: Stand up the back Panel (A) and bring in one of the side panels (B) so that they are perpendicular. Note that the leveler should be away from the back panel (A). Insert the side panel (B) using the pin (F) into the back panel connector bracket (C).



## “U” Configuration

STEP 4: While holding the back and side panel in position, fasten the L-Bracket (G) with the screws (D). Note the counter bores must be facing up.

STEP 5: Repeat steps 3 & 4 for the other side panel (B).



# UNIVERSAL PRIVACY PANELS INSTALLATION GUIDE

## “H” Configuration

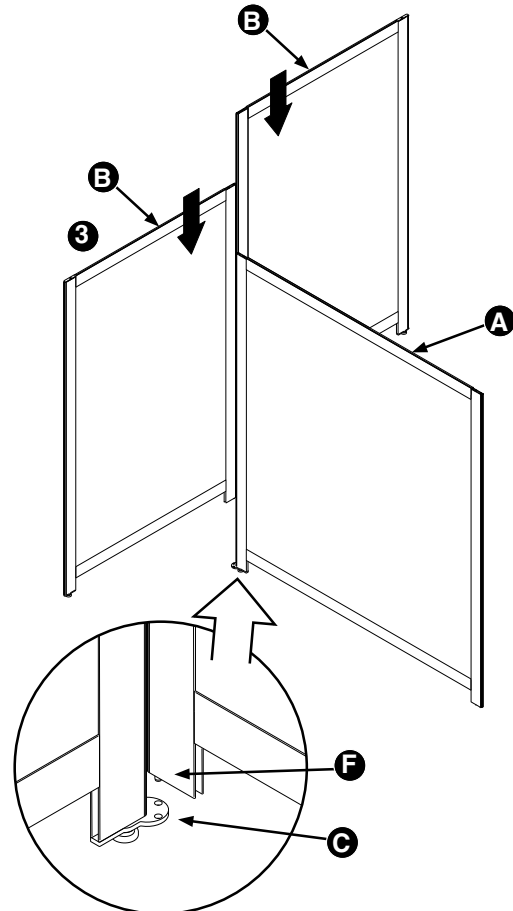
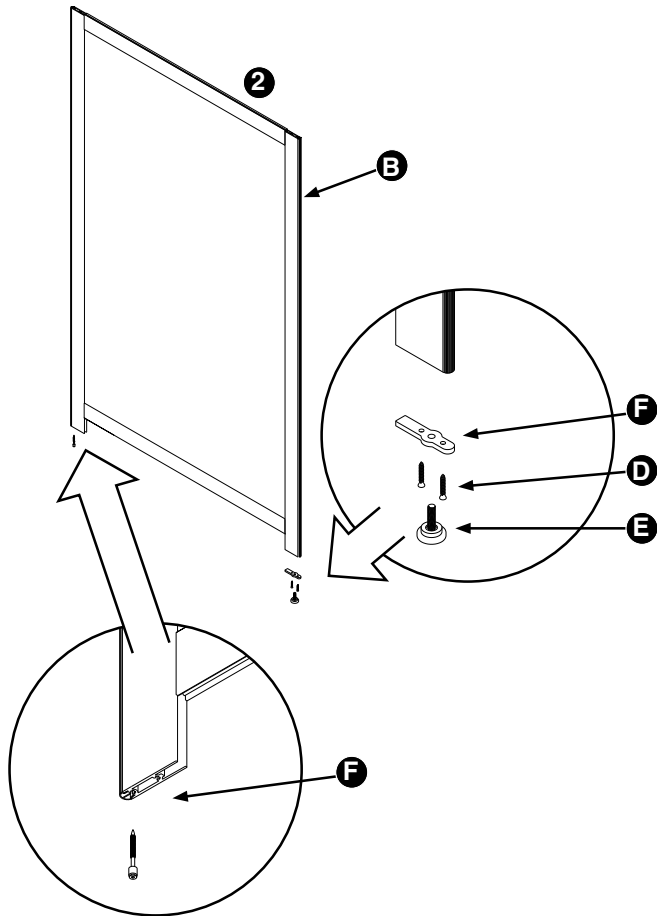
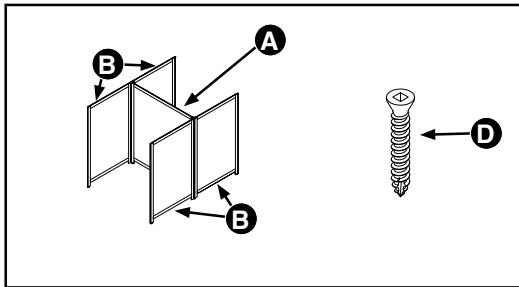
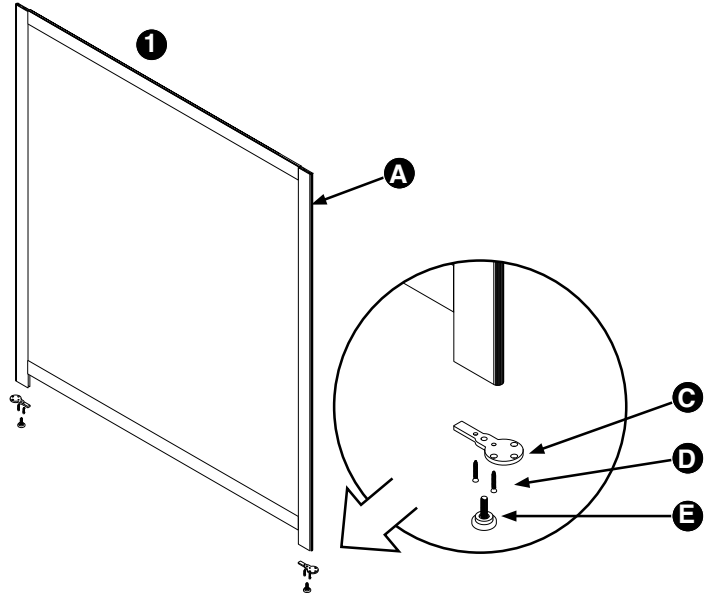
STEP 1: Fasten the connector brackets (C) to the bottom of the back panel (A) on both sides with screws (D). Screw in the levelers (E) on both sides.

STEP 2: Fasten the Bottom End Cap Brackets (F) to the bottom of the each side panel (B). Screw in the levelers (E) on each side panel.

STEP 3: Stand up the back Panel (A) and bring in one of the side panels (B) so that they are perpendicular. Note that the leveler should be away from the back panel (A). Insert the side panel (B) using the pin (F) into the back panel connector bracket (C). Do the same for the opposite side panel.

STEP 4: While holding the back and side panels in position, fasten the T-Bracket (G) with the screws (D). Note the counter bores must be facing up.

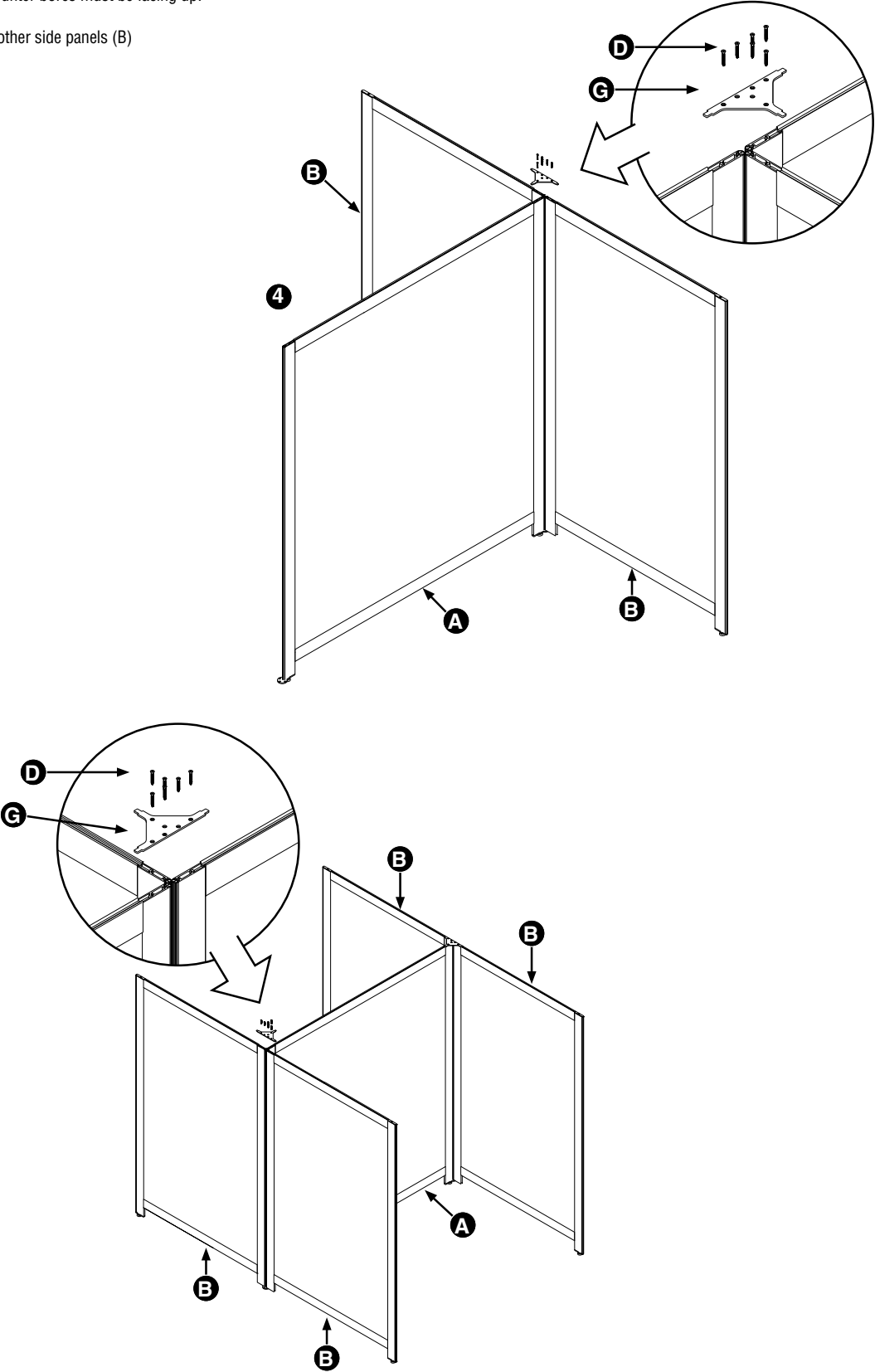
STEP 5: Repeat steps 3 & 4 for the other side panels (B)



## “H” Configuration

STEP 4: While holding the back and side panels in position, fasten the T-Bracket (G) with the screws (D). Note the counter bores must be facing up.

STEP 5: Repeat steps 3 & 4 for the other side panels (B)



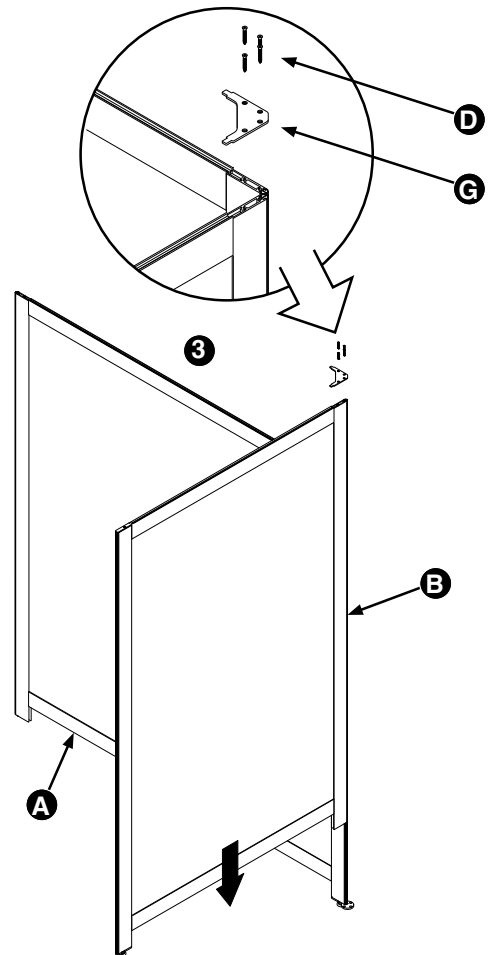
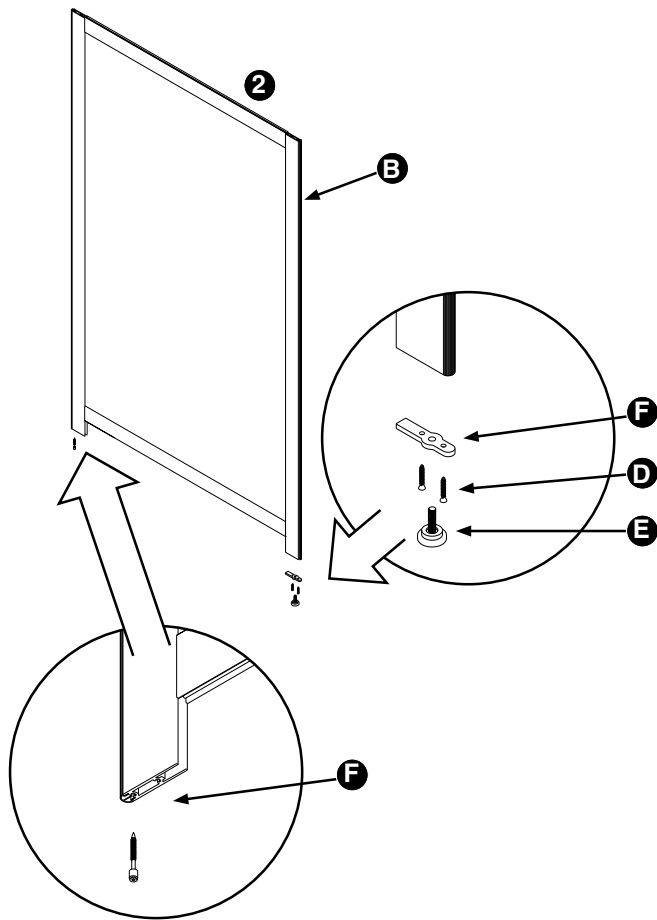
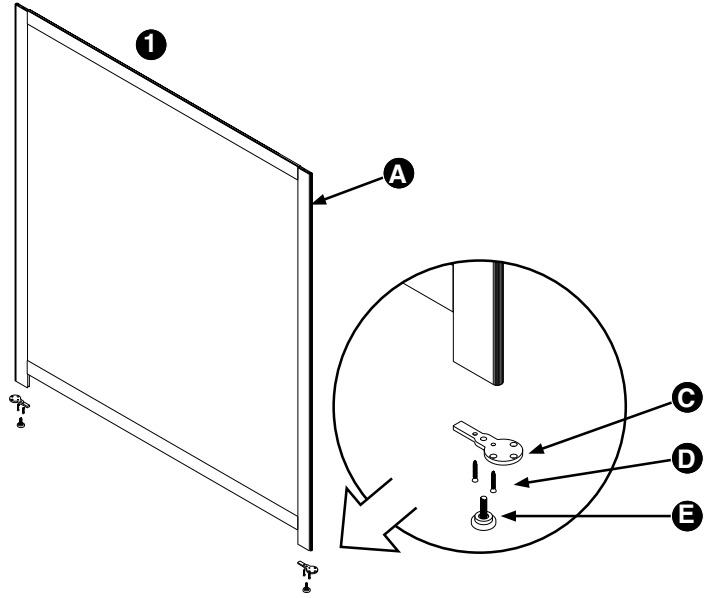
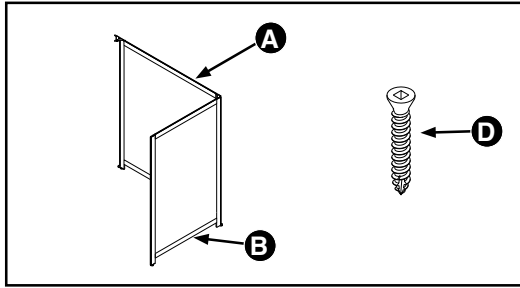
# UNIVERSAL PRIVACY PANELS INSTALLATION GUIDE

## “L” Configuration

STEP 1: Fasten the connector brackets (C) to the bottom of the back panel (A) on both sides with screws (D). Screw in the levelers (E) on both sides.

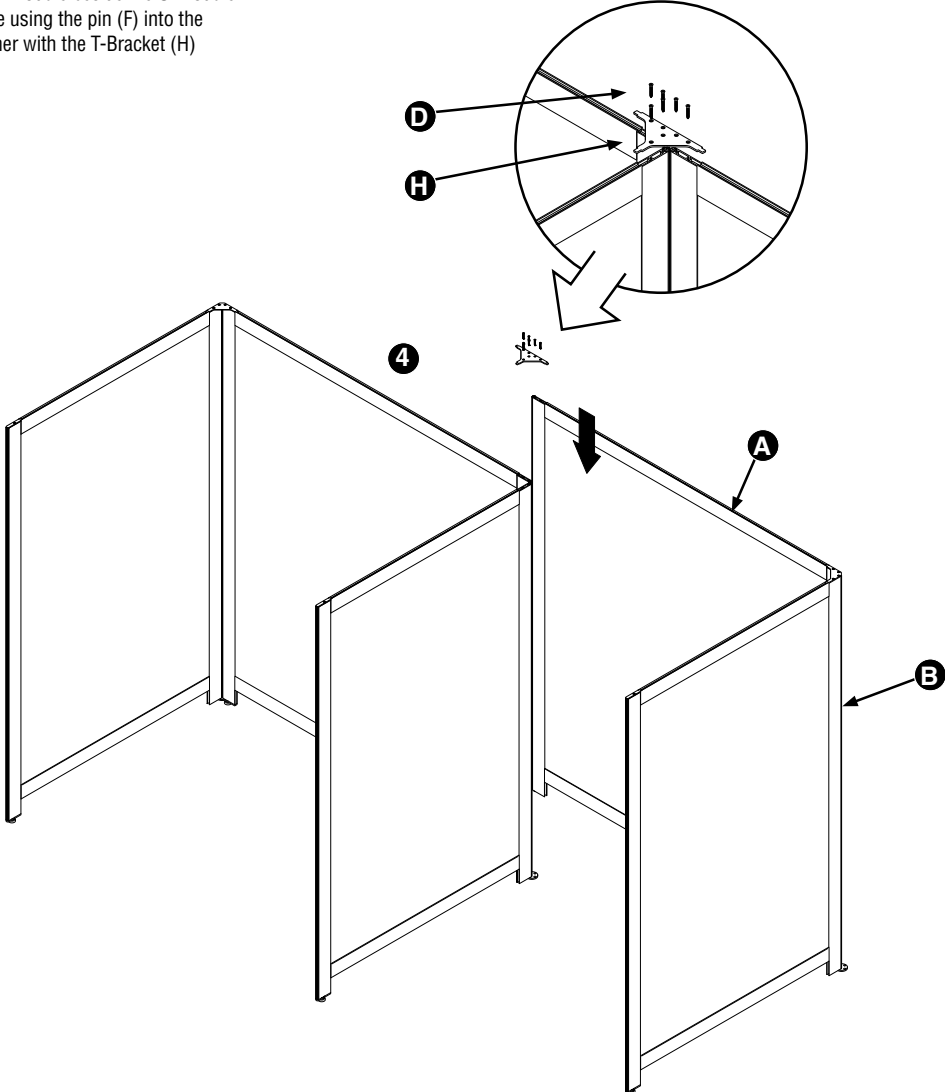
STEP 2: Fasten the Bottom End Cap Brackets (F) to the bottom of the each side panel (B). Screw in the levelers (E) on each side panel.

STEP 3: Stand up the back Panel (A) and bring in the side panel (B) so that they are perpendicular. Note that the leveler should be away from the back panel (A). Insert the side panel (B) into the back panel connector bracket (C).



**“L” Configuration**

STEP 4: Once assembled, position the L-Extension Module beside the U-Module as shown in step 4. Insert the L-Extension Module using the pin (F) into the connector bracket (C). Secure the modules together with the T-Bracket (H) using screws (D).



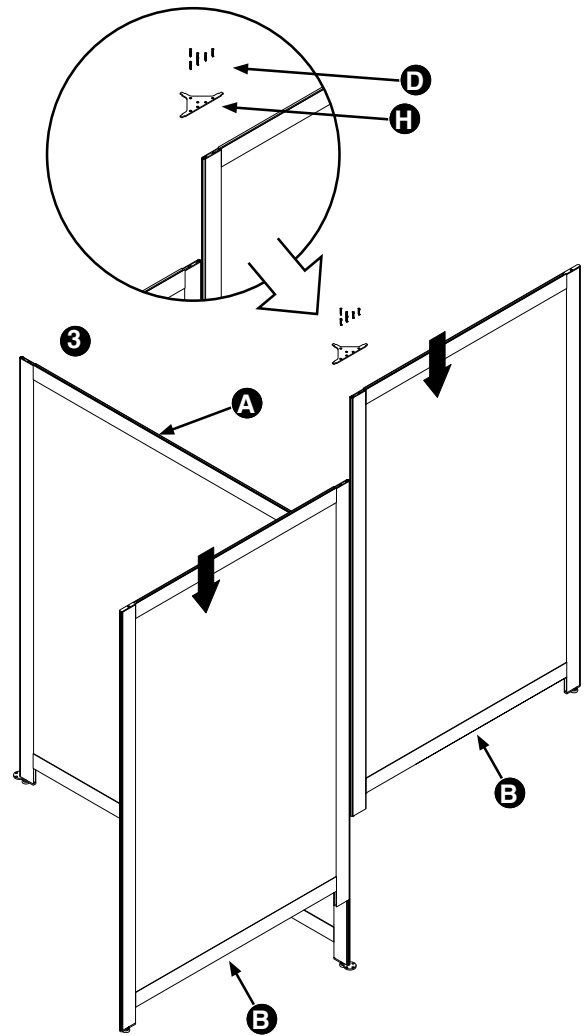
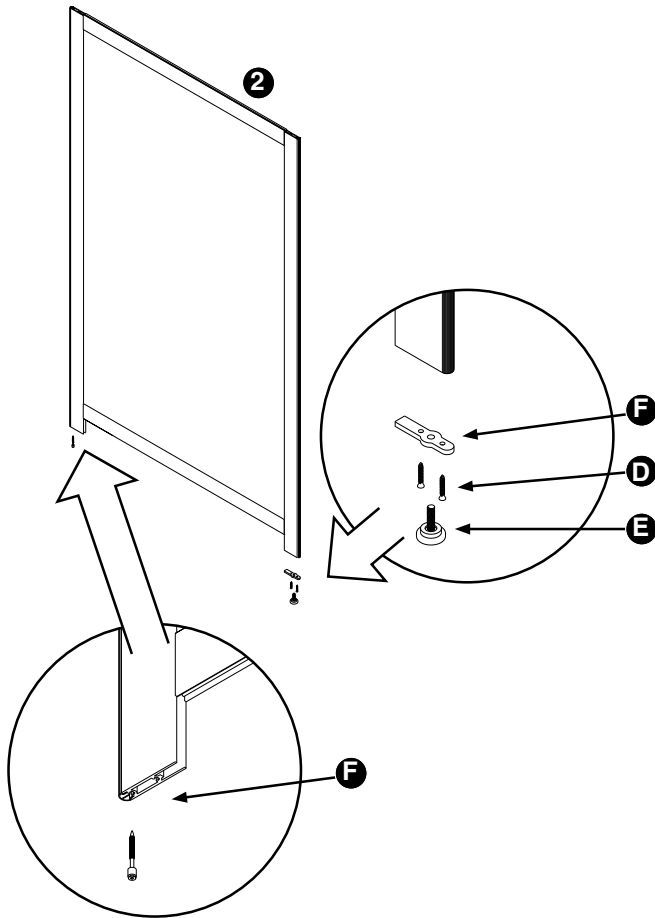
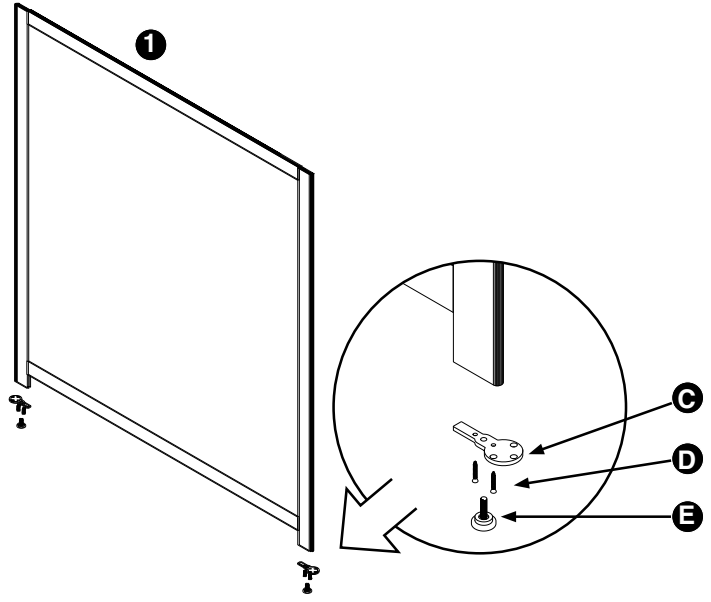
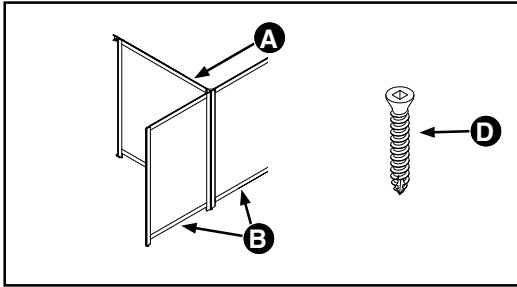
# UNIVERSAL PRIVACY PANELS INSTALLATION GUIDE

## “T” Configuration

STEP 1: Fasten the connector brackets (C) to the bottom of the back panel (A) on both sides with screws (D). Screw in the levelers (E) on both sides.

STEP 2: Fasten the Bottom End Cap Brackets (F) to the bottom of the each side panel (B). Screw in the levelers (E) on each side panel.

STEP 3: Stand up the back Panel (A) and bring in one of the side panels (B) so that they are perpendicular. Note that the leveler should be away from the back panel (A). Insert the side panel (B) using the pin (F) into the back panel connector bracket (C). Do the same for the other side panel. Secure the side panels with the T-Bracket (G) using the screws (D).





**“T” Configuration**

STEP 4: Once assembled, position the T-Extension Module beside the H-Module as shown in step 4. Insert the T-Extension Module using the pin (F) into the connector bracket (C). Secure the modules together with the H-Bracket (H) using screws (D).

