

INSTALLATION GUIDELINES

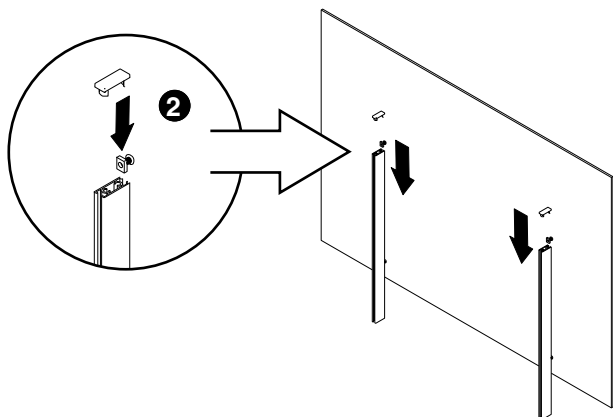
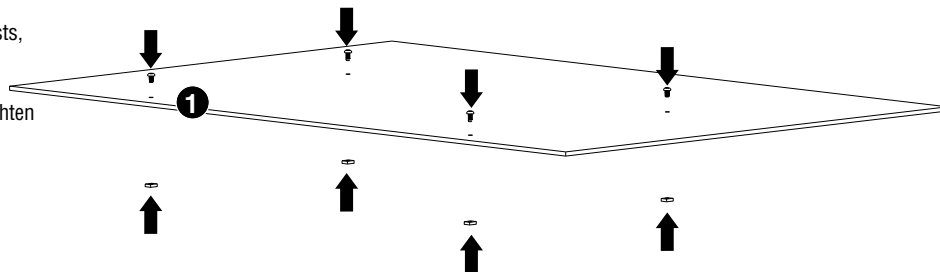
Wellness Screens Installation Guide • GCBMSG, GCAMSG, GCBRMSG, GCTCSG

STEP 1: Attach the supplied hex socket screws the acrylic guard. (Do not tighten)

STEP 2: Insert the square nut into the rail of the upright posts, slide the acrylic guard onto the upright posts.

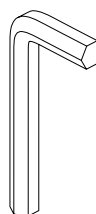
Adjust the position of the acrylic guard on the posts and tighten the screws.

STEP 3: Secure the posts with supplied flat head screws.



Required Tools

An allen key is required (1/8" standard tip) For the set screws and the cap screws.

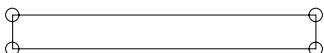


Undermounted Kit:

Drilling pattern

For 48" Screens use: 17.8mm (0.700") x 700mm (27.560")

For 36" Screens use: 17.8mm (0.700") x 660mm (26.00")



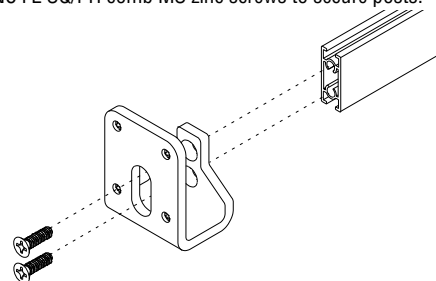
Mounts through holes drilled through existing work surfaces and counter tops.

NOTE: Depending of the thickness of your top the 1.5" long supplied post screws might have to be recessed.

Kit includes 4x 10-24 X 3/8 BUTTON HD ZN screws to secure acrylic to posts and 4x 1/4 X 1 1/2 NC FL PH MS ZN screws to secure posts.

Edge Mounted Kit (1" and 1.5" clamp):

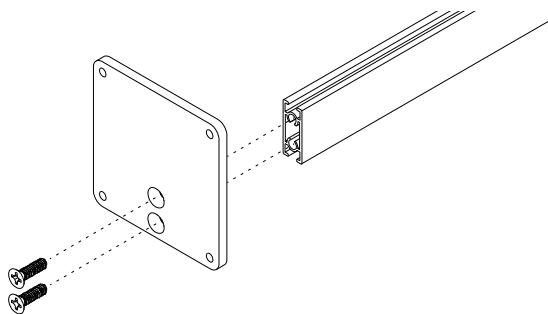
Kit includes 4x 10-24 X 3/8 BUTTON HD ZN screws to secure acrylic to posts and 4x 1/4x7/8 NC FL SQ/PH comb MS zinc screws to secure posts.



Topmounted With Plate Kit:

Kit includes 4x 10-24 X 3/8 BUTTON HD ZN screws to secure acrylic to posts and 4x 1/4x7/8 NC FL SQ/PH comb MS zinc flat head screws to secure posts.

NOTE: Screws required to mount Post plates to existing surface are not included



Undermounted with 12" worksurface:

Kit includes 12" deep 1" top with 3mm edging, 4x 10-24 X 3/8 BUTTON HD ZN screws to secure acrylic to posts and 4x 1/4 X 1 1/2 NC FL PH MS ZN screws to secure

