

Installation Guide

Effective June 2020

WELLNESS
Screens

wellness solutions



WELLNESS SCREENS INSTALLATION GUIDE

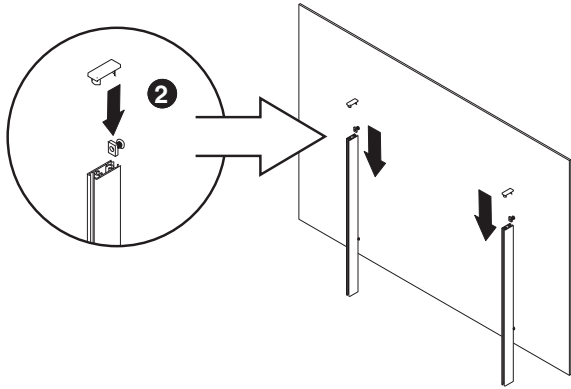
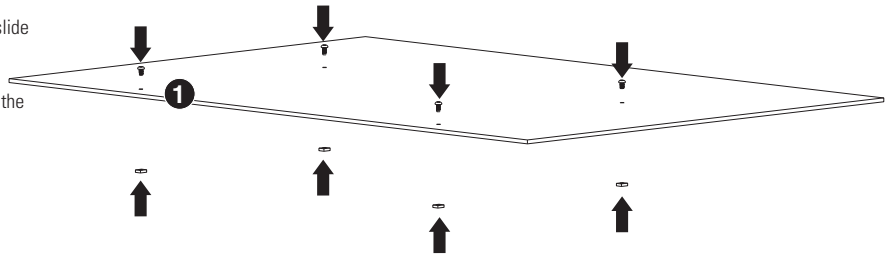
Wellness Screens Installation Guide • GCBMSG, GCAMSG, GCBRMSG, GCTCSG

STEP 1: Attach the supplied hex socket screws through the acrylic guard and into the square nut on the opposite side (Do not tighten).

STEP 2: Insert the square nut into the rail of the upright posts, slide the acrylic guard onto the upright posts.

Adjust the position of the acrylic guard on the post and tighten the screws.

STEP 3: Secure the posts with supplied flat head screws.



Undermounted Kit:

Drilling pattern

17.8mm (0.700") x 700mm (27.560")



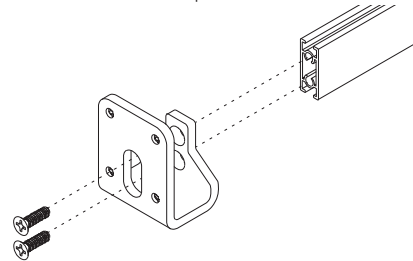
Mounts through holes drilled through existing work surfaces and counter tops.

NOTE: Depending of the thickness of your top the 1.5" long supplied post screws might have to be recessed.

Kit includes 4x 1/4"-20 x 300mm hex socket screws to secure acrylic to posts and 4x 1/4"-20 x 1.5" flat head screws to secure posts.

Clamp Mount Kit (1" and 1.5" clamp):

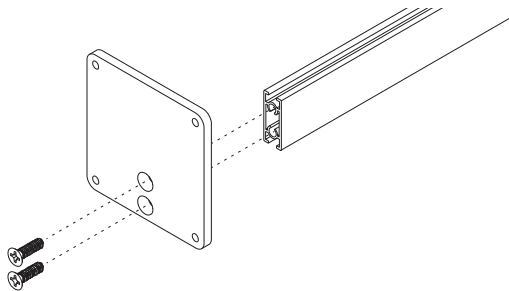
Kit includes 4x 1/4"-20 x 300mm socket screws to secure acrylic to posts and 4x 1/4"-20 x 1.5" flat head screws to secure posts.



Surface Mounted With Plate Kit:

Kit includes 4x 1/4"-20 x 300mm socket screws to secure acrylic to posts and 4x 1/4"-20 x 1.5" flat head screws to secure posts.

NOTE: Screws required to mount Post plates to existing surface are not included



Freestanding 12" worksurface:

Kit includes 12" deep 1" top with 3mm edging, 4x 1/4"-20 x 300mm socket screws to secure acrylic to posts and 4x 1/4"-20 x 1.5" flat head screws to secure

