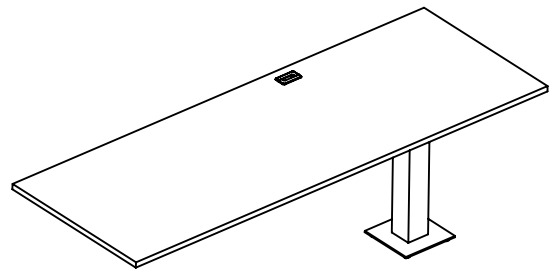


Generic
Conference Top



Disassembly Instructions

Product designed for disassembly
in a reasonable time frame.(5 minutes or less)

ITEM	DESCRIPTION	QTY	MATERIAL
1	TOP PANEL	1	PARTICLE BOARD
2	OVERLAPPING FILLER	1	PARTICLE BOARD
3	MONOLEG FILLER	1	PARTICLE BOARD
4	GROMMET	1	PLASTIC-Polypropylene PP
5	MASONITE FILLER 1/8"	10	FIBER BOARD
6	MASONITE FILLER 1/4"	10	FIBER BOARD
7	MONOLEG	4	STEEL
8	1/4X20 INSERT	4	STEEL
9	TRUSS HEAD SCREW	8	STEEL

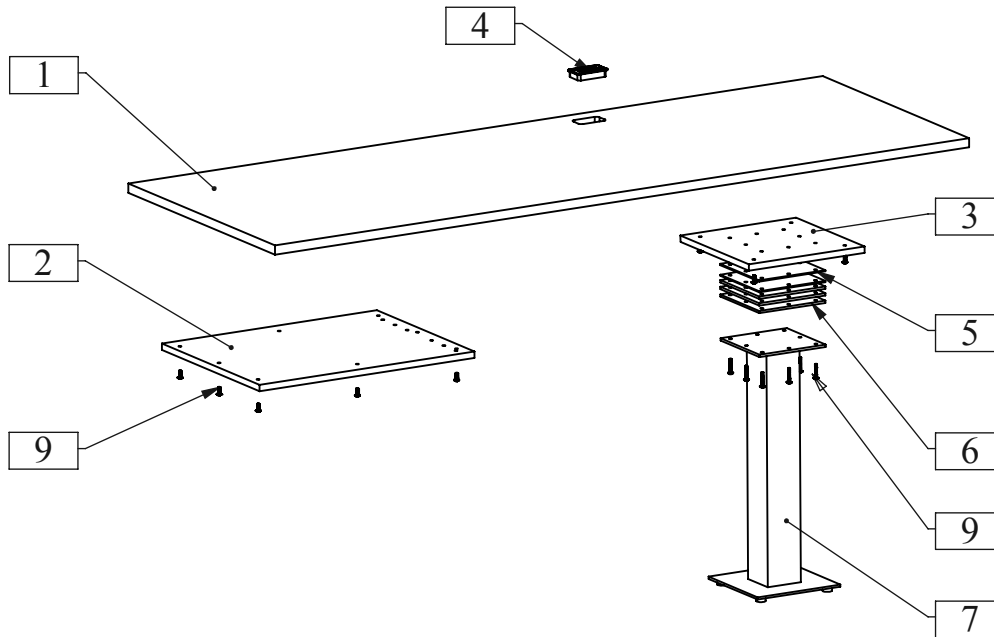
Required tools:

Phillips screwdriver size #2 

Rubber mallet 

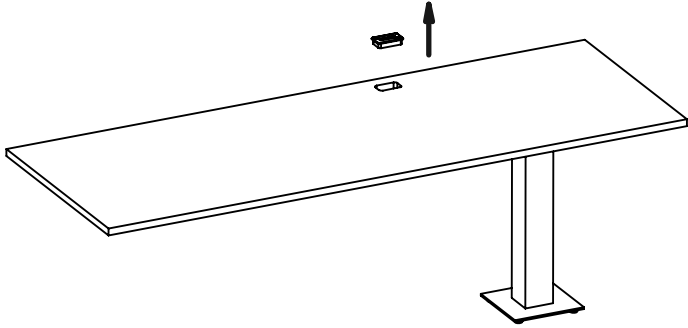
Safety glasses 

Please contact Expert Manufacturing service representative
at 905.738.7575 for any questions or concerns.

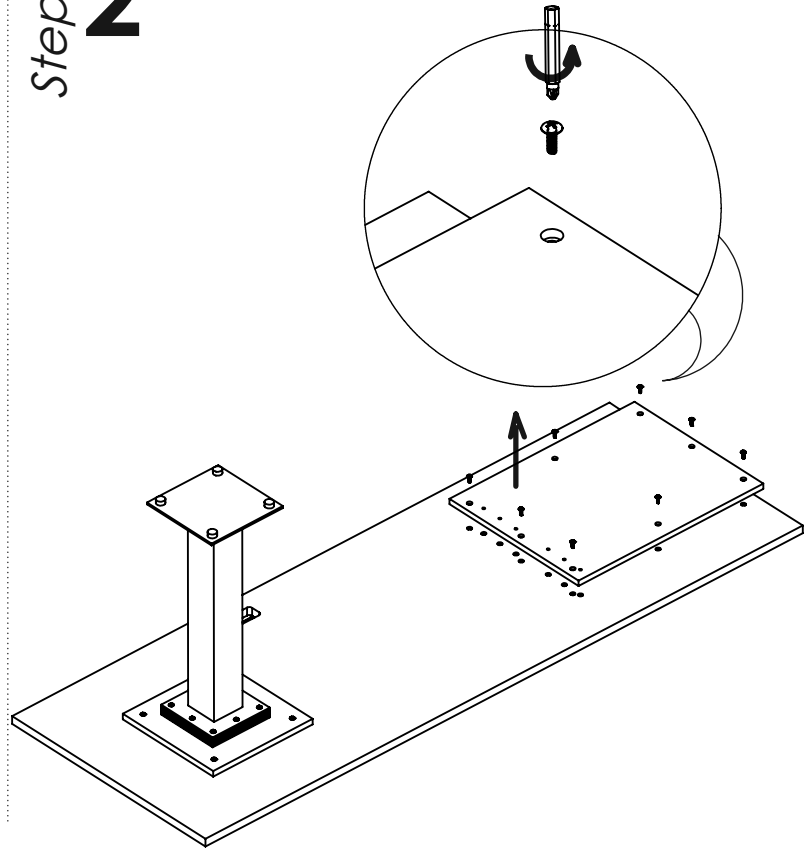


NOTE: Any alteration to listed components will void the manufacturer's warranty. The manufacturer will not be responsible for any damage or bodily harm caused by alterations in accordance with national or local electrical codes and manufacturer's specifications. In accordance with the manufacturer's policy of continual product improvement, the product presented in this document is subject to change without notice or obligation.

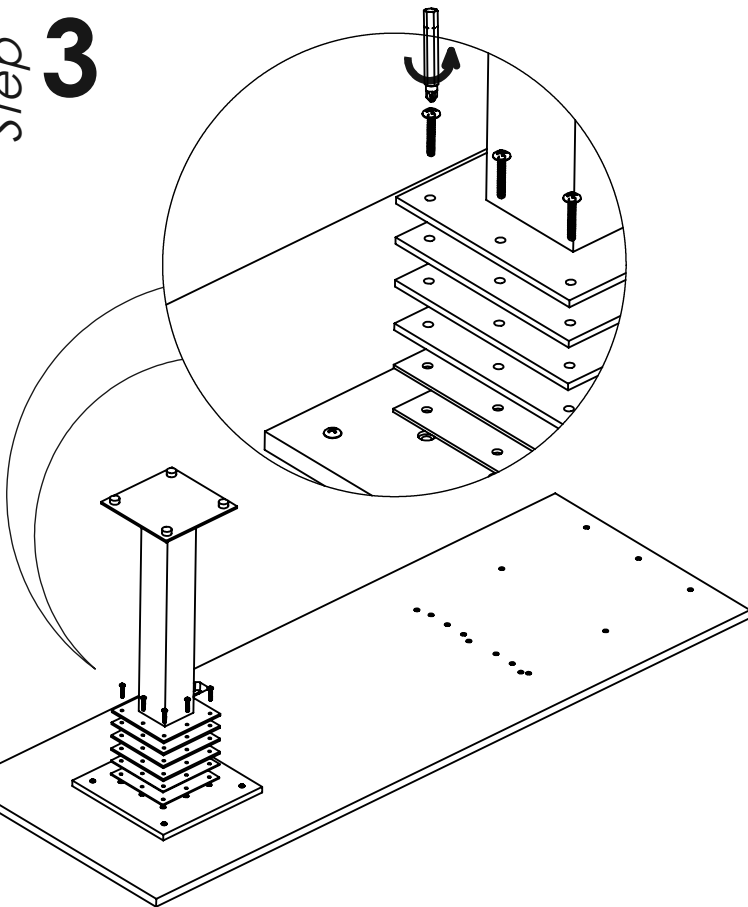
Step 1



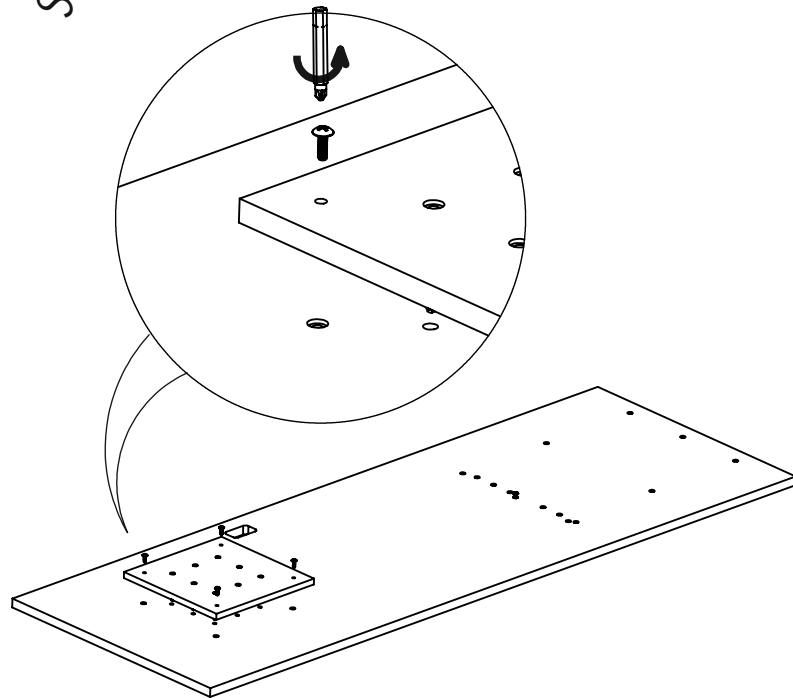
Step 2



Step 3



Step 4



NOTE: Any alteration to listed components will void the manufacturer's warranty. The manufacturer will not be responsible for any damage or bodily harm caused by alterations in accordance with national or local electrical codes and manufacturer's specifications. In accordance with the manufacturer's policy of continual product improvement, the product presented in this document is subject to change without notice or obligation.