

LxxSHxx  
Storage Hutch

Item#	Description	Qty	Material
1	TOP	1	Particle Board
2	SLAB	2	Particle Board
3	BACK	1	Particle Board
4	BOTTOM	1	Particle Board
5	DIVIDER	1	Particle Board
6	VALANCE	1	Particle Board
7	DOOR	4	Particle Board
8	HINGE	8	Steel
9	HINGE PLATE	8	Steel
10	LATCH	2	Plastic (PVC#3), Steel
11	BLUM CAM	19	Plastic (PVC#3)
12	BLUM DOWEL	19	Aluminium
13	TITUS CAM	11	Aluminium
14	TITUS DOWEL	11	Aluminium
15	CONFIRMAT SCREW	7	Steel

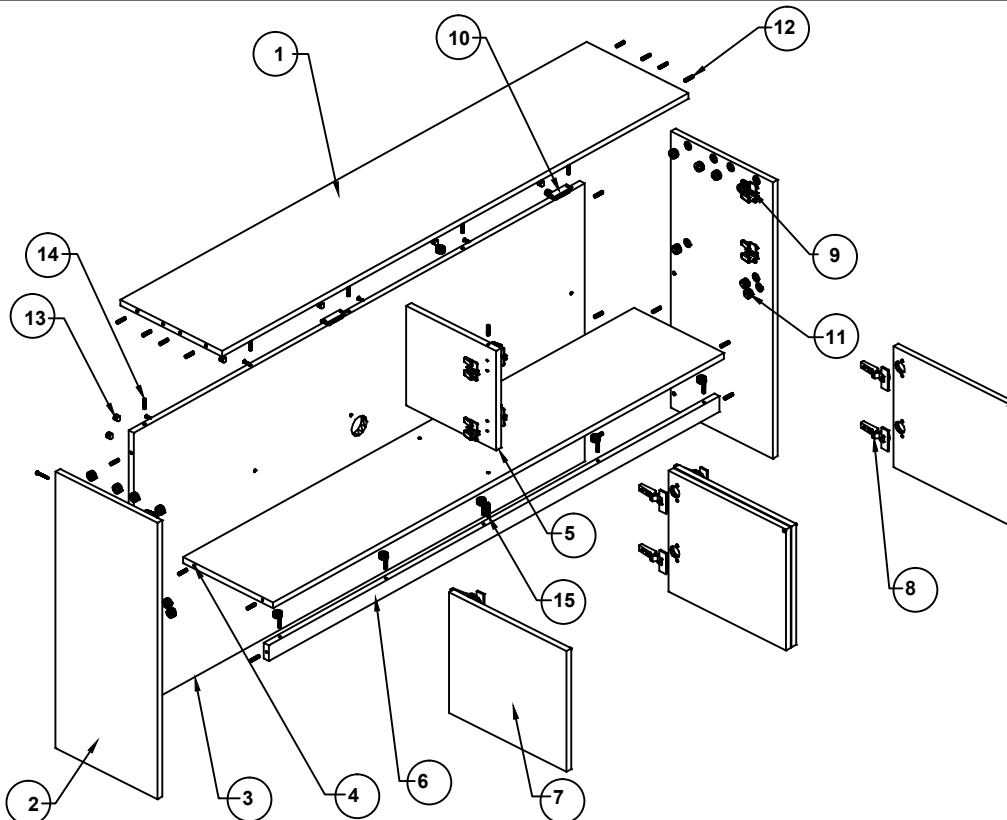
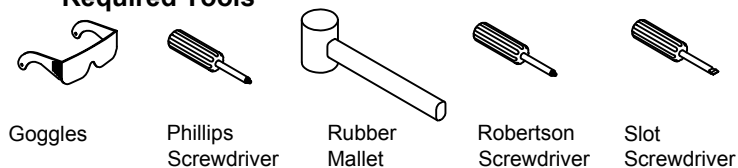
**DISASSEMBLY INSTRUCTIONS**

Product designed for disassembly in a reasonable time frame.

- Remove doors (7) by unlocking hinge (8) from hinge plate (9).
- Disassemble all wood components by unlocking Blum (11) and Titus (13) connectors and take out Confirmat Screws(15).
- Remove hinges (8) from the doors (7).
- Remove hinge plates (9) from slabs (2) and divider (5).
- Unscrew latches (10) from top (1).
- Remove the Blum (12) and Titus (14) dowels.

Please contact

**Required Tools**



NOTE: Any alterations to listed components will void the manufacturer's warranty. The manufacturer will not be responsible for any damage or bodily harm caused by alterations in accordance with national or local electrical codes and manufacturer's specifications. In accordance with the manufacturer's policy of continual product improvement, the product presented in this document is subject to change without notice or obligation.