

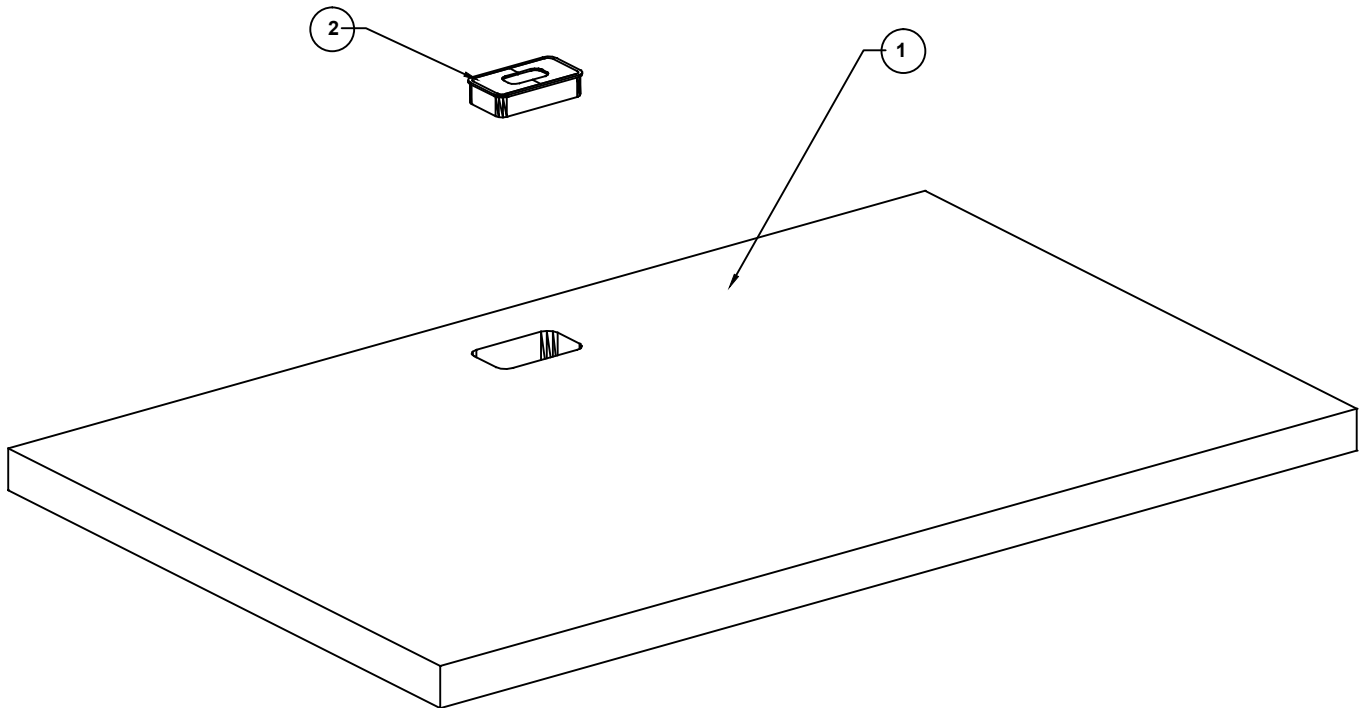
| Item# | Description | Qty | Material        |
|-------|-------------|-----|-----------------|
| 1     | TOP         | 1   | Particle board  |
| 2     | GROMMET     | 1   | Plastic (PVC#3) |

**DISASSEMBLY INSTRUCTIONS**

Product designed for disassembly in a reasonable time frame.

- a. Remove grommet (2) from the top (1).

Please contact



NOTE: Any alterations to listed components will void the manufacturer's warranty. The manufacturer will not be responsible for any damage or bodily harm caused by alterations in accordance with national or local electrical codes and manufacturer's specifications. In accordance with the manufacturer's policy of continual product improvement, the product presented in this document is subject to change without notice or obligation.