

LiSRxxxxD

Single pedestal desk

Item#	Description	Qty	Material
1	TOP	1	Particle Board
2	SLAB	2	Particle Board
3	BACK	3	Particle Board
4	HALF SLAB	2	Particle Board
5	PEDESTAL GABLE	2	Particle Board
6	PEDESTAL SUB TOP	1	Particle Board
7	PEDESTAL BOTTOM	1	Particle Board
8	PEDESTAL KICKPLATE	1	Particle Board
9	FRONT	3	Particle Board
10	DRAWER	3	Plywood/Particle Board
11	SLIDE RAIL	6	Steel
12	SLIDE	6	Steel
13	STOPPER	3	Steel
14	LOCK ASSEMBLY	1	Steel
15	BRACKETS	18	Steel
16	CLEAT	7	Solid Wood
17	LEVELER & INSERT	8	Steel, Plastic (PVC#3)
18	PLASTIC SPACER	7	Plastic (PVC#3)
19	SCREWS	190	Steel
20	CONFIRMAT SCREWS	6	Steel
21	WOOD BLOCK	4	Solid Wood

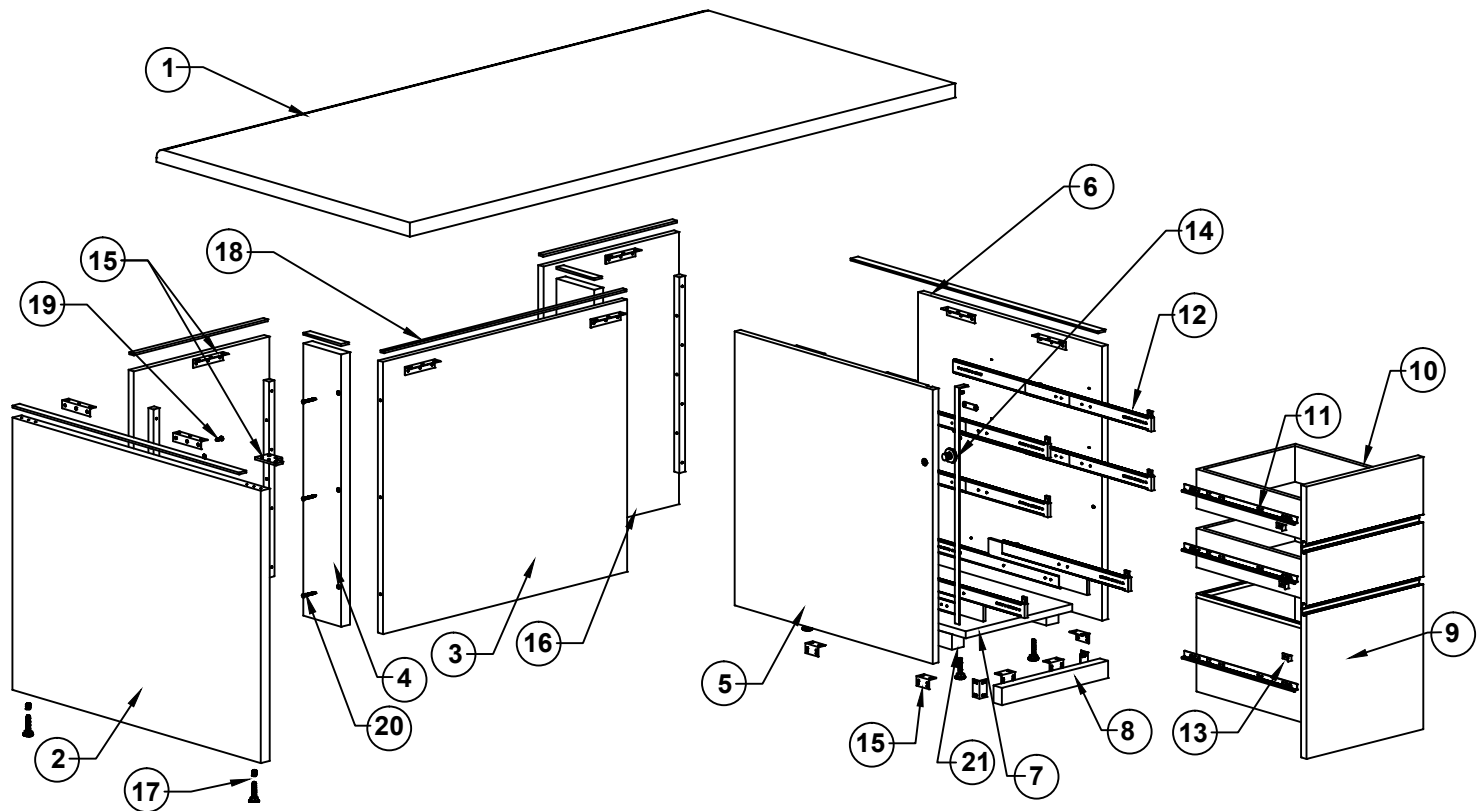
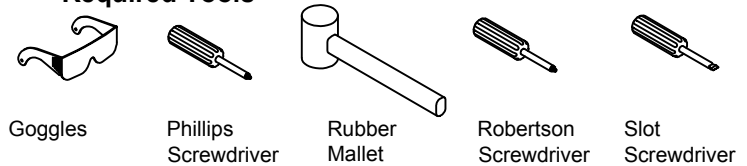
**DISASSEMBLY INSTRUCTIONS**

Product designed for disassembly in a reasonable time frame.

- Remove drawers (10) by pushing on plastic tab.
- Unscrew slide rails (11) and stoppers (13) from the drawers
- Unscrew slides (12) from inside of the cabinet
- Remove the lock assembly (14).
- Disassemble all wood components by removing screws from the brackets (15) and cleats (16).
- Remove all brackets (15).
- Unscrew all levelers (17)

Please contact

**Required Tools**



NOTE: Any alterations to listed components will void the manufacturer's warranty. The manufacturer will not be responsible for any damage or bodily harm caused by alterations in accordance with national or local electrical codes and manufacturer's specifications. In accordance with the manufacturer's policy of continual product improvement, the product presented in this document is subject to change without notice or obligation.