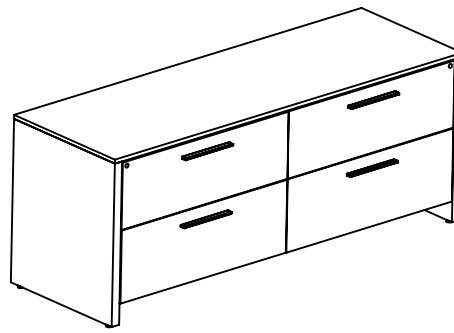


Princeton

Credenza

Disassembly Instructions



PN2972LF

Product designed for disassembly
in a reasonable time frame.(5 minutes or less)

ITEM	DESCRIPTION	QTY	MATERIAL
1	TOP PANEL	1	PARTICLE BOARD
2	GABLE LEFT	1	PARTICLE BOARD
3	GABLE RIGHT	1	PARTICLE BOARD
4	BACK PANEL	1	PARTICLE BOARD
5	BOTTOM PANEL	1	PARTICLE BOARD
6	STRETCHER	1	PARTICLE BOARD
7	DIVIDER	1	PARTICLE BOARD
8	DRAWER FILE FRONT	4	PARTICLE BOARD
9	DRAWER BOX	4	PARTICLE BOARD
10	BLUM CONNECTOR	10	STEEL&PLASTIC(PolypropylenePP)
11	BLUM SCREW	10	STEEL
12	TITUS CAM	20	STEEL
13	TITUS DOWEL	20	STEEL
14	ADJUSTABLE LEVELLER	7	STEEL&PLASTIC(PolypropylenePP)
15	T-NUT FOR LEVELLER	7	STEEL&PLASTIC(PolypropylenePP)
16	WOOD SCREW	48	STEEL
17	HANDLES	4	ALUMINUM
18	SLIDES/PAIR	24	STEEL

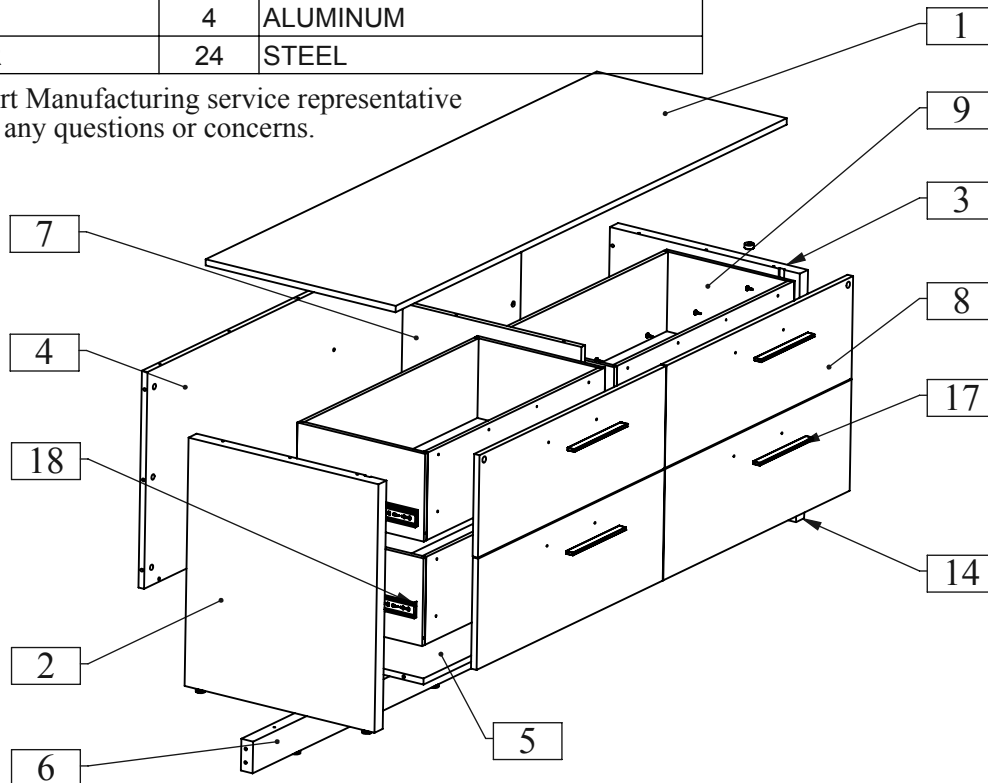
Required tools:

Phillips screwdriver size #2 

Rubber mallet 

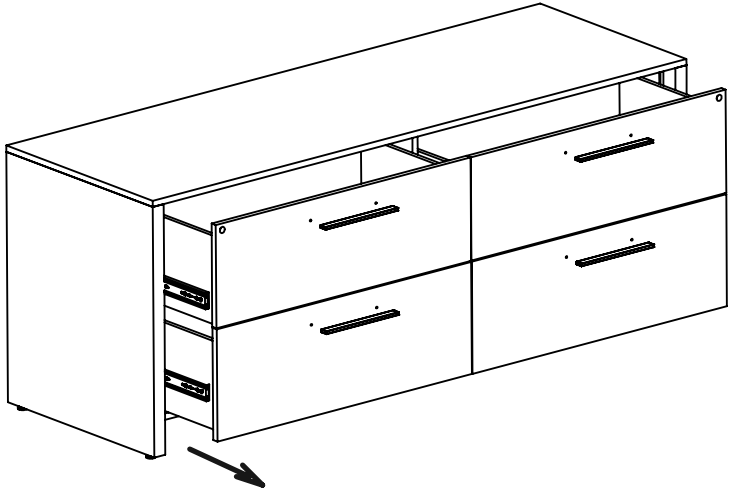
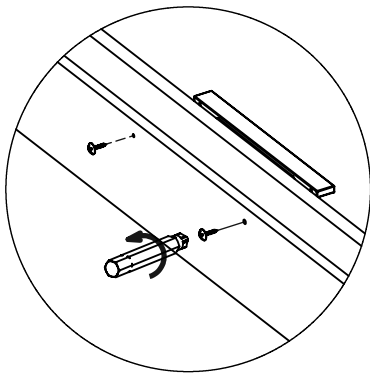
Safety glasses 

Please contact Expert Manufacturing service representative
at 905.738.7575 for any questions or concerns.



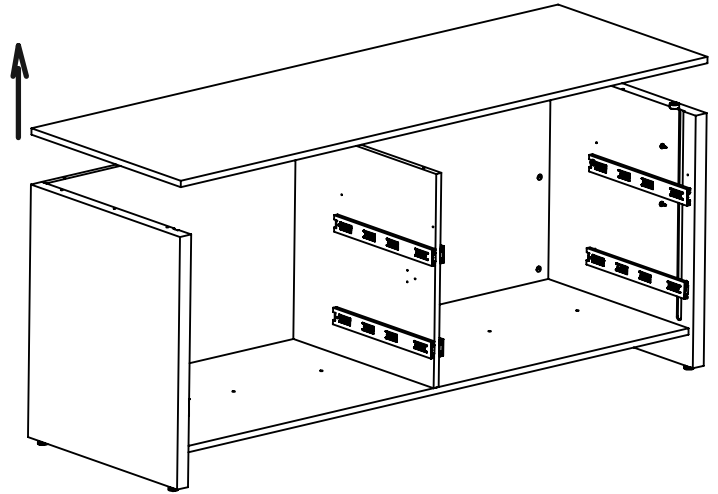
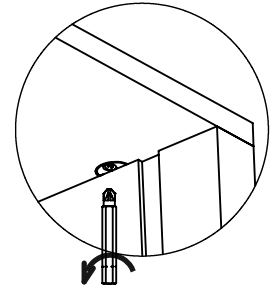
NOTE: Any alteration to listed components will void the manufacturer's warranty. The manufacturer will not be responsible for any damage or bodily harm caused by alterations in accordance with national or local electrical codes and manufacturer's specifications. In accordance with the manufacturer's policy of continual product improvement, the product presented in this document is subject to change without notice or obligation.

Step 1



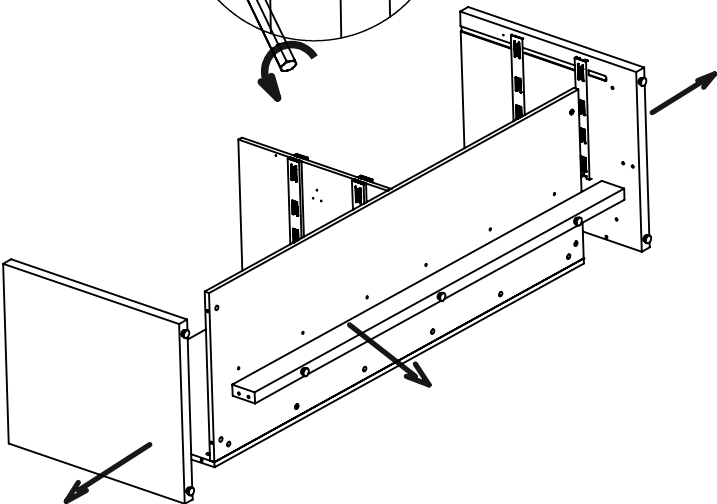
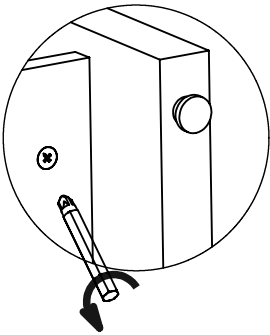
Step 2

Untighten Blum connector



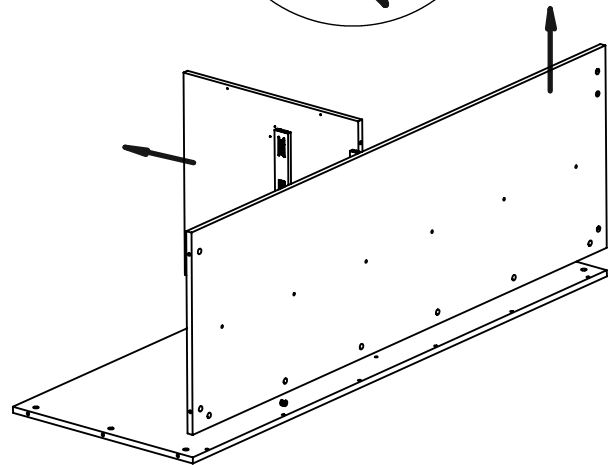
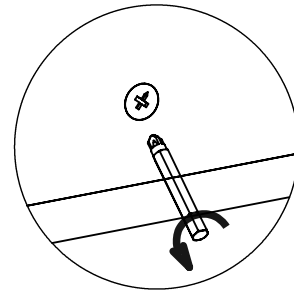
Step 3

Untighten Titus cam



Step 4

Untighten Titus cam



NOTE: Any alteration to listed components will void the manufacturer's warranty. The manufacturer will not be responsible for any damage or bodily harm caused by alterations in accordance with national or local electrical codes and manufacturer's specifications. In accordance with the manufacturer's policy of continual product improvement, the product presented in this document is subject to change without notice or obligation.