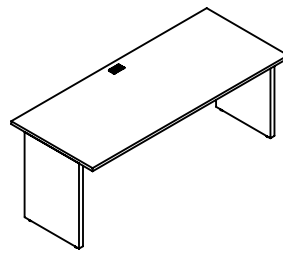


# Princeton

29" Desk

## Disassembly Instructions



PNXXXXDK

Product designed for disassembly in a reasonable time frame.(5 minutes or less)

Required tools:

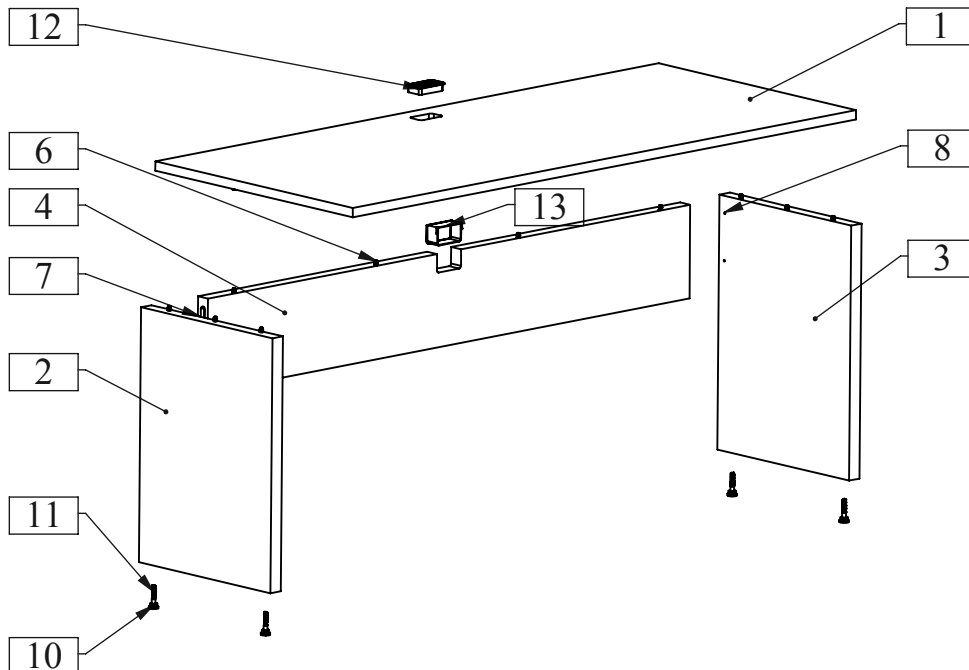
Phillips screwdriver size #2 

Rubber mallet 

Safety glasses 

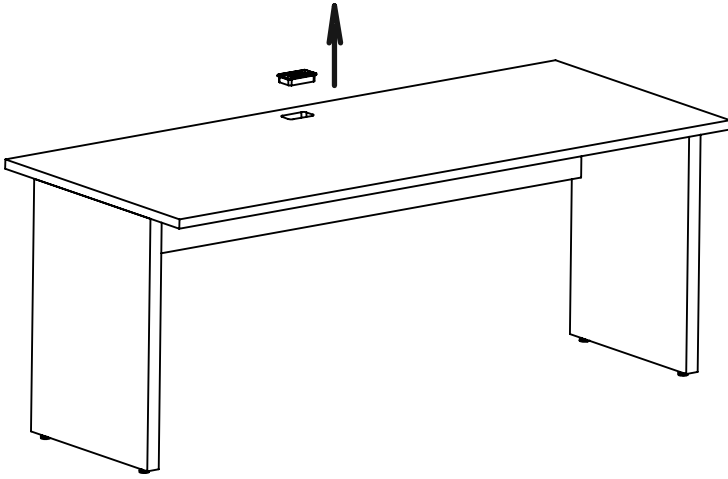
ITEM	DESCRIPTION	QTY	MATERIAL
1	TOP PANEL	1	PARTICLE BOARD
2	GABLE LEFT	1	PARTICLE BOARD
3	GABLE RIGHT	1	PARTICLE BOARD
4	MODESTY PANEL	1	PARTICLE BOARD
5	BLUM CONNECTOR	10	PLASTIC-Polypropylene PP
6	BLUM DOWEL	10	STEEL
7	MODULAR CONNECTOR	4	STEEL
8	MODULAR SCREW	4	STEEL
9	WOOD SCREW	8	STEEL
10	ADJUSTABLE LEVELLER	4	STEEL&PLASTIC
11	INSERT NUT	4	STEEL
12	GROMMET	1	PLASTIC
13	PASS -THROUGH	1	PLASTIC-Polypropylene PP
14	1/4-20 INSERT	34	STEEL

Please contact Expert Manufacturing service representative at 905.738.7575 for any questions or concerns.



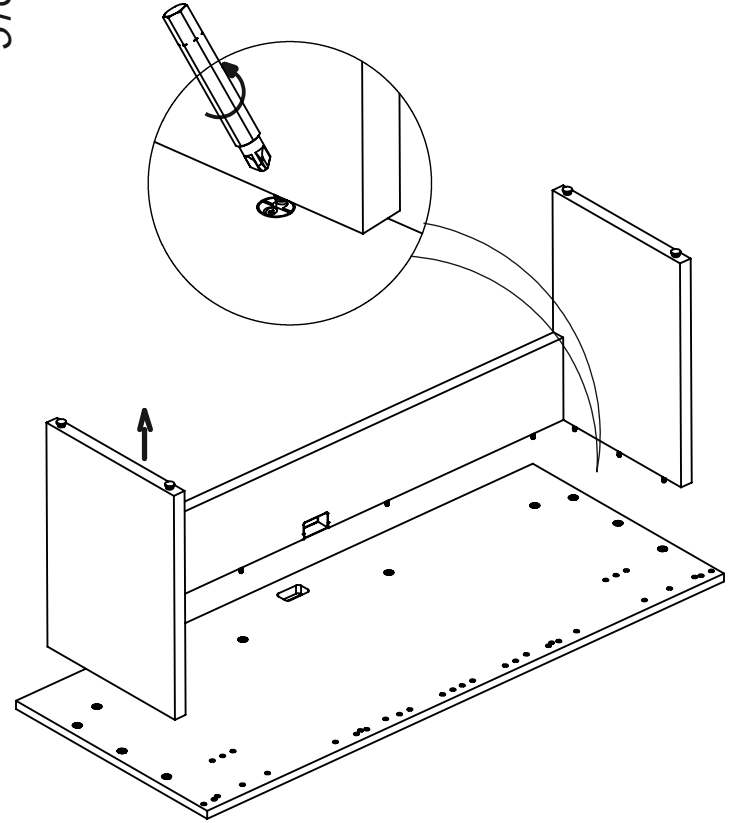
NOTE: Any alteration to listed components will void the manufacturer's warranty. The manufacturer will not be responsible for any damage or bodily harm caused by alterations in accordance with national or local electrical codes and manufacturer's specifications. In accordance with the manufacturer's policy of continual product improvement, the product presented in this document is subject to change without notice or obligation.

Step 1

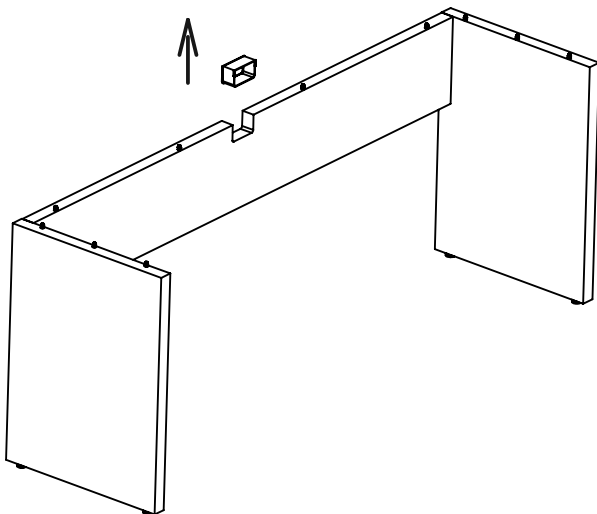


Step 2

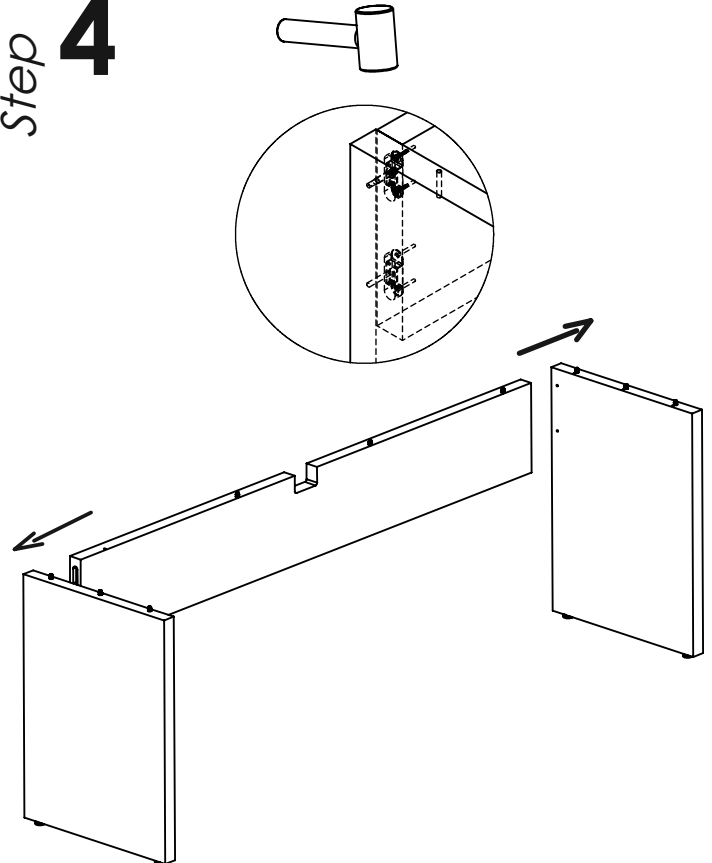
Untighten Blum connectors



Step 3



Step 4



NOTE: Any alteration to listed components will void the manufacturer's warranty. The manufacturer will not be responsible for any damage or bodily harm caused by alterations in accordance with national or local electrical codes and manufacturer's specifications. In accordance with the manufacturer's policy of continual product improvement, the product presented in this document is subject to change without notice or obligation.