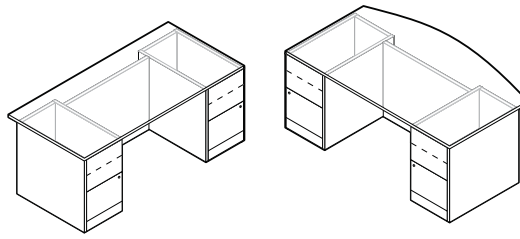




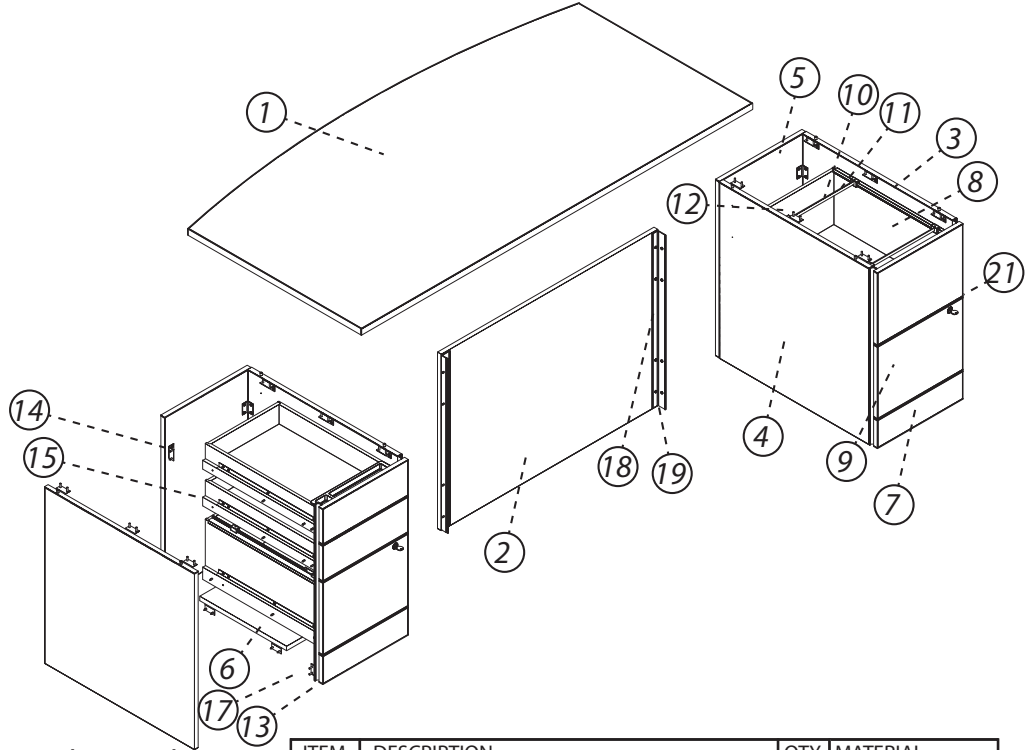
ZIRA
Double Pedestal Desk



Z4272...84FB22 Z4272...84F32
 Z3660...72FB22 Z3660...84F32
 Z4272...84FB32 Z3060...72F32
 Z3660...72FB22 Z4272...84F23
 Z4272...84FB23 Z3660...84F23
 Z3660...72FB23 Z3060...72F23
 Z4272...84FB33 Z4272...84F33
 Z3660...72FB33 Z3660...84F33
 Z4272...84F22 Z3060...72F33
 Z3660...84F22
 Z3060...72F22

Disassembly Instructions

TOOLS REQUIRED



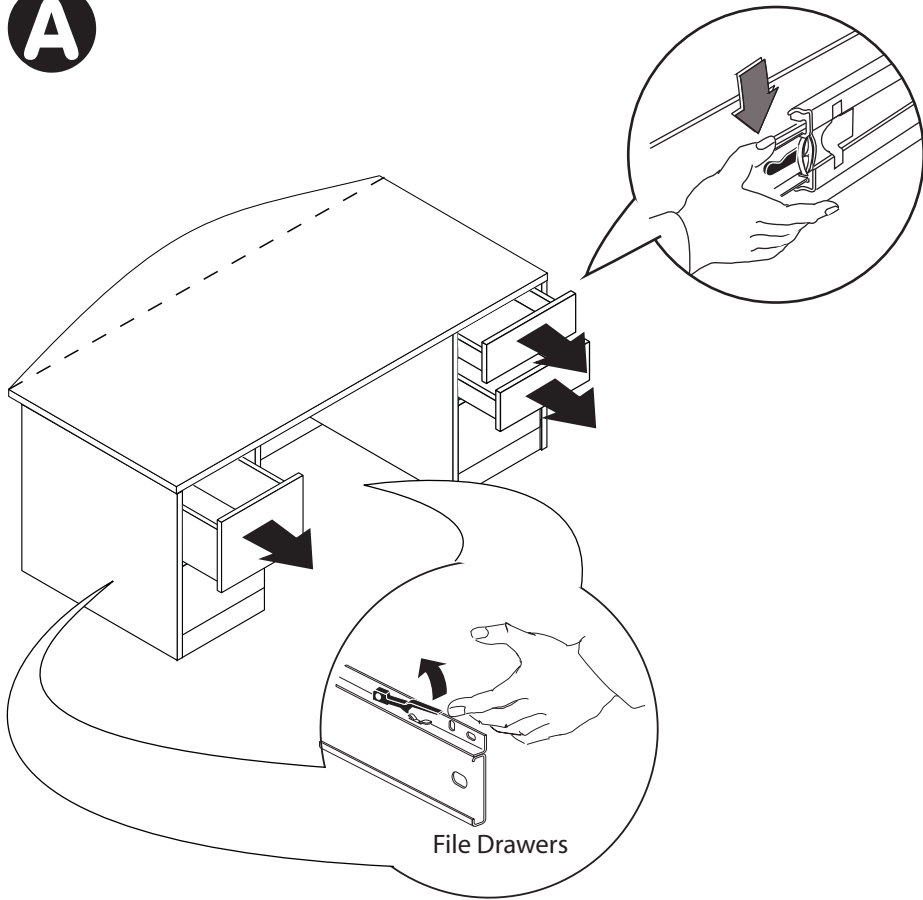
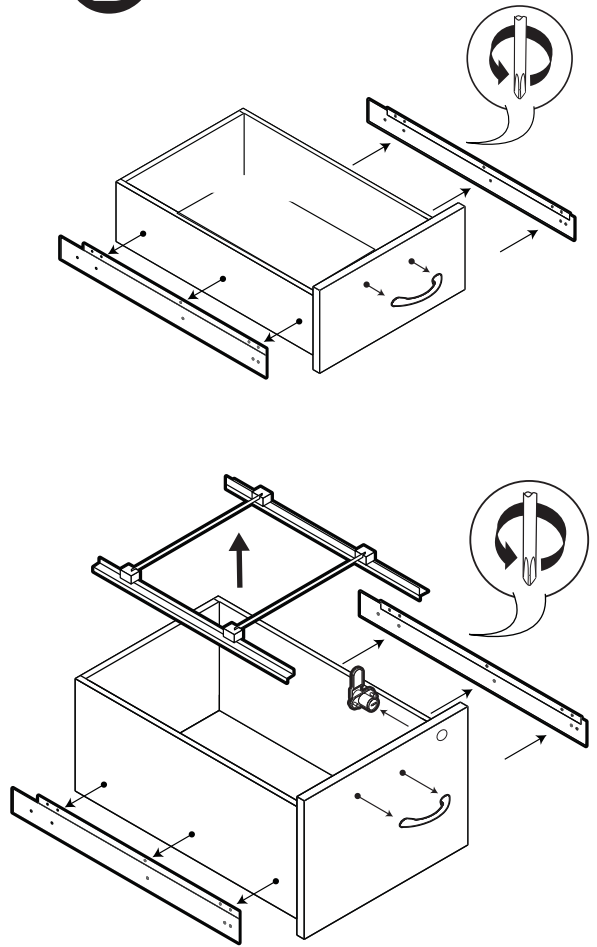
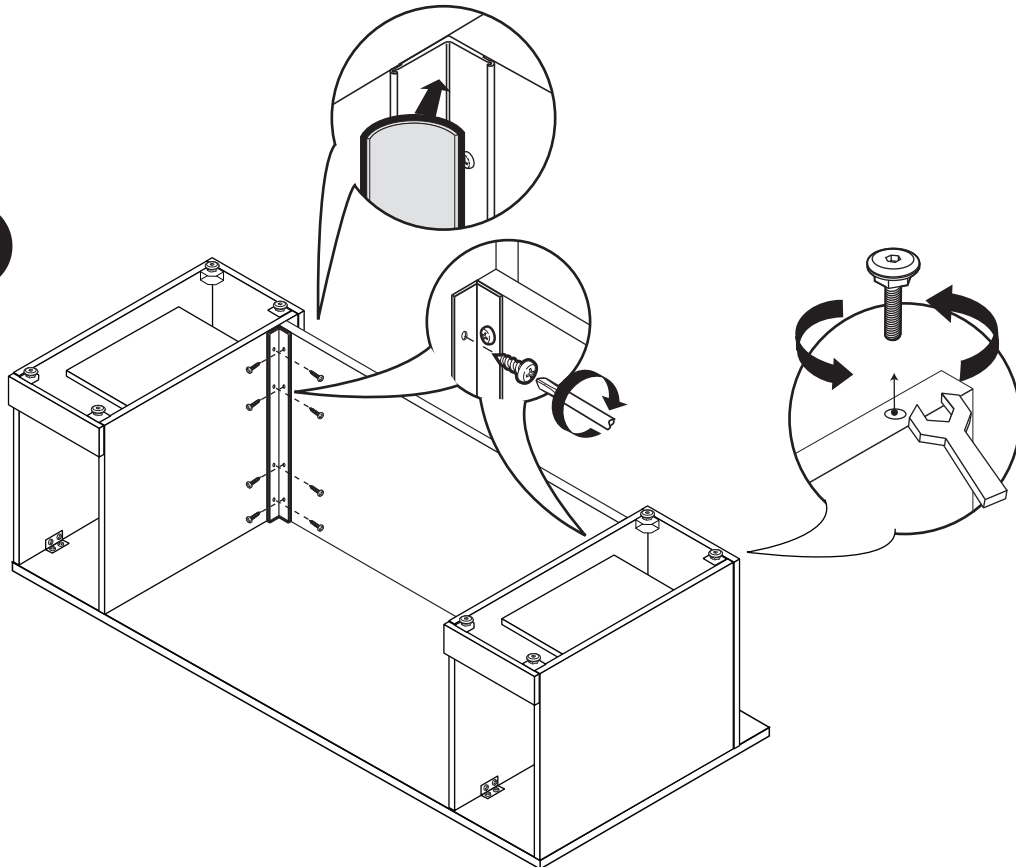
- A** Remove Drawers by Fully Extending and Disengaging latch on each slide while pulling drawer out.
- B** On Drawer boxes, unscrew and remove slide channels. Remove hanging file system.
- C** Remove Aluminium Cleat Cover. Unscrew and remove leveler. Unscrew and remove aluminium cleat and modesty panel.
- D** Unscrew and remove pedestal.
- E** On Pedestal, slide PVC cover on front edge extrusion off exposing screws. Remove screws using a Robertson screwdriver. Pull extrusion off extrusion.
- F** Unscrew and remove pedestal bottom and "C" shape metal.
- G** On Pedestal, unscrew and remove "L" plates, glide channels and corner leveler.

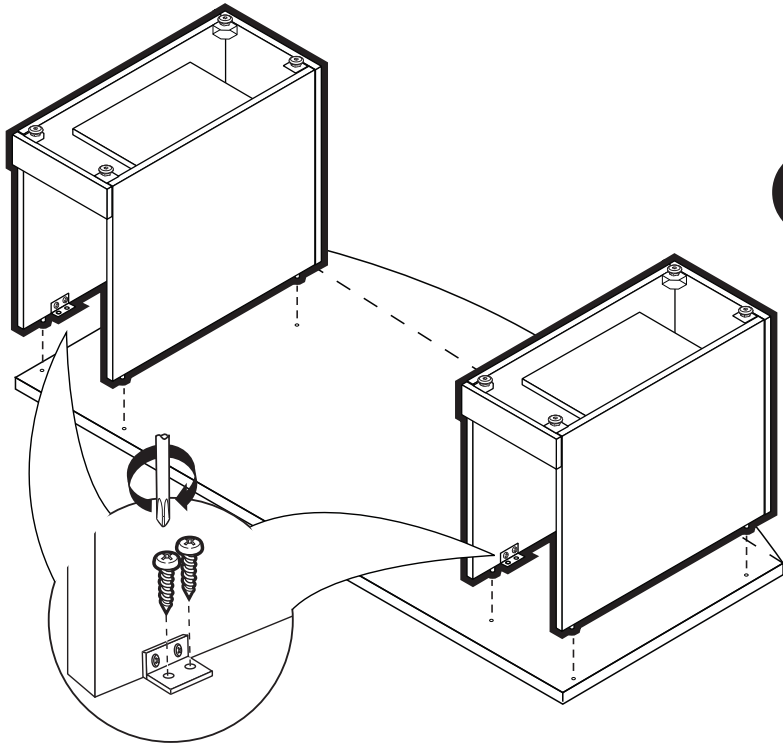
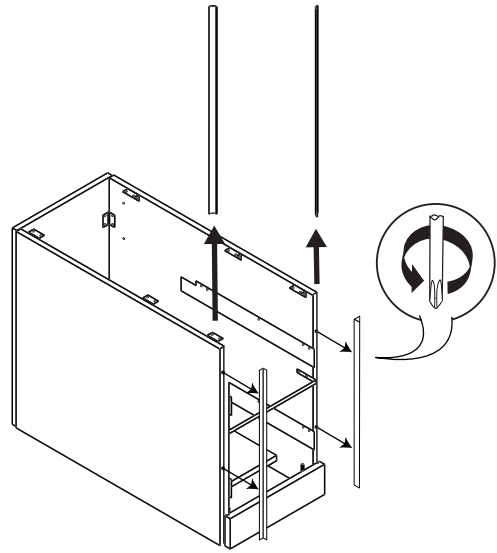
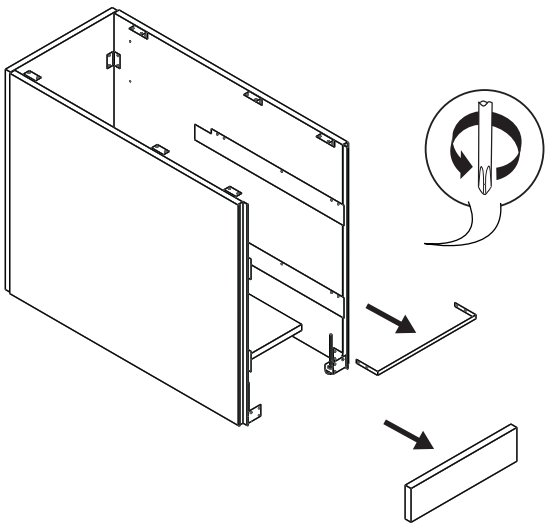
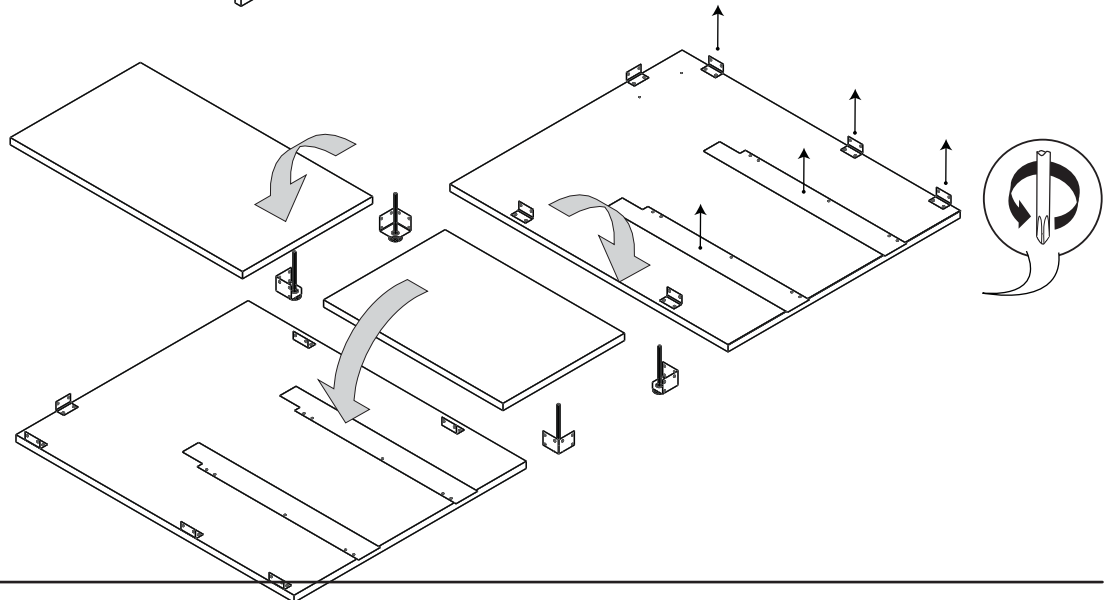
| ITEM | DESCRIPTION | QTY | MATERIAL |
|------|-------------------------------------|-----|---------------|
| 1 | DESK TOP | 1 | PARTICLEBOARD |
| 2 | MODESTY | 1 | PARTICLEBOARD |
| 3 | RIGHT SIDE - PEDESTAL | 2 | PARTICLEBOARD |
| 4 | LEFT SIDE - PEDESTAL | 2 | PARTICLEBOARD |
| 5 | BACK - PEDESTAL | 2 | PARTICLEBOARD |
| 6 | BOTTOM - PEDESTAL | 2 | PARTICLEBOARD |
| 7 | KICKBASE - PEDESTAL | 2 | PARTICLEBOARD |
| 8 | DRAWER | 4 | MDF |
| 9 | DRAWER FRONT | 4 | PARTICLEBOARD |
| 10 | HANGING FILE EXTRUSION | 8 | STEEL |
| 11 | FILING BAR | 8 | STEEL |
| 12 | CLIP FOR HANGING BAR | 16 | PLASTIC |
| 13 | PVC EDGE EXTRUSION W/ SLIDE CHANNEL | 4 | PLASTIC |
| 14 | PLATES | 25 | STEEL |
| 15 | SLIDES (INNER) | 8 | STEEL |
| 16 | SLIDES (BASE PLATE) | 8 | STEEL |
| 17 | CORNER BRACKET W/LEVELER | 8 | STEEL |
| 18 | ALUMINIUM CLEAT | 2 | ALUMINIUM |
| 19 | COVER FOR ALUMINIUM CLEAT | 2 | PLASTIC |
| 20 | SCREWS | 224 | STEEL |
| 21 | LOCKER | 2 | STEEL |
| | | | |
| | | | |

Please contact Global Customer Care at 905-660-5101 for any questions or concerns.

NOTE: Any alterations to listed components will void the manufacturer's warranty. The manufacturer will not be responsible for any damage or bodily harm caused by alterations in accordance with national or local electrical codes and manufacturer's specifications. In accordance with the manufacturer's policy of continual product improvement, the product presented in this document is subject to change without notice or obligation.

ZDIS 01 rev: 00

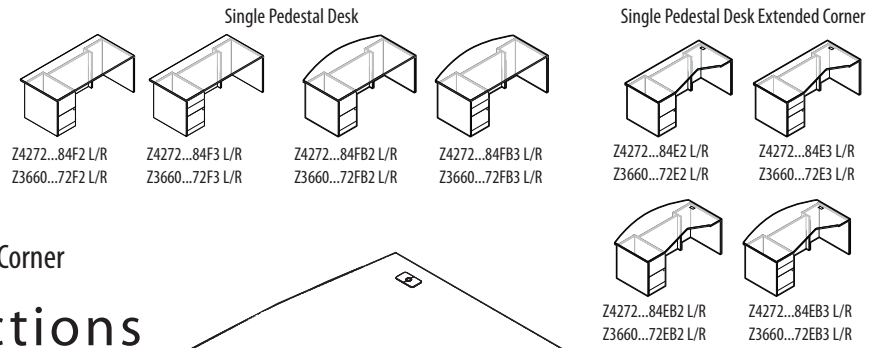
A**B****C**

D**E****F****G**



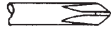
ZIRA

Single Pedestal Desk
Single Pedestal Desk Extended Corner

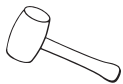


Disassembly Instructions

TOOLS REQUIRED



PHILLIPS
Screwdriver size #2



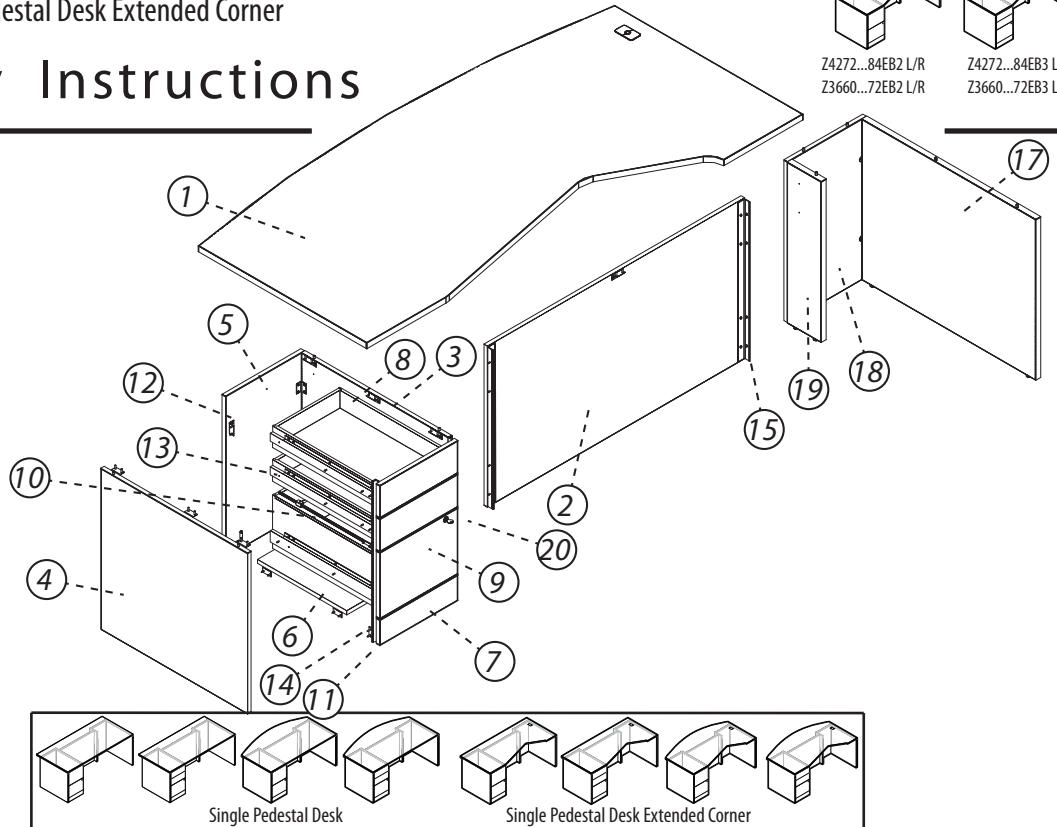
Rubber Mallet



Safety Glasses



WRENCH
Size #16 or 5/8"



| ITEM | DESCRIPTION | QUANTITIES | | | | | | | | MATERIAL |
|------|-------------------------------|------------|-----|-----|-----|-----|-----|-----|-----|---------------|
| | | 1 | 2 | 3 | 4 | 5 | 6 | 7 | 8 | |
| 1 | TOP | 1 | 1 | 1 | 1 | 1 | 1 | 1 | 1 | PARTICLEBOARD |
| 2 | MODESTY | 1 | 1 | 1 | 1 | 1 | 1 | 1 | 1 | PARTICLEBOARD |
| 3 | RIGHT SIDE - PEDESTAL | 1 | 1 | 1 | 1 | 1 | 1 | 1 | 1 | PARTICLEBOARD |
| 4 | LEFT SIDE - PEDESTAL | 1 | 1 | 1 | 1 | 1 | 1 | 1 | 1 | PARTICLEBOARD |
| 5 | BACK - PEDESTAL | 1 | 1 | 1 | 1 | 1 | 1 | 1 | 1 | PARTICLEBOARD |
| 6 | BOTTOM - PEDESTAL | 1 | 1 | 1 | 1 | 1 | 1 | 1 | 1 | PARTICLEBOARD |
| 7 | KICKBASE - PEDESTAL | 1 | 1 | 1 | 1 | 1 | 1 | 1 | 1 | PARTICLEBOARD |
| 8 | DRAWER | 2 | 3 | 2 | 3 | 2 | 3 | 2 | 3 | MDF |
| 9 | DRAWER FRONT | 2 | 3 | 2 | 3 | 2 | 3 | 2 | 3 | PARTICLEBOARD |
| 10 | HANGING FILE SYSTEM | 2 | 1 | 2 | 1 | 2 | 1 | 2 | 2 | STEEL/PLASTIC |
| 11 | PVC EDGE EXT. W/SLIDE CHANNEL | 2 | 2 | 2 | 2 | 2 | 2 | 2 | 2 | PLASTIC |
| 12 | PLATES/BRACKETS | 13 | 1 | 13 | 13 | 13 | 13 | 13 | 13 | STEEL |
| 13 | SLIDES (INNER AND BASE PLATE) | 4 | 6 | 4 | 6 | 4 | 6 | 4 | 6 | STEEL |
| 14 | CORNER BRACKET W/LEVELER | 4 | 4 | 4 | 4 | 4 | 4 | 4 | 4 | STEEL |
| 15 | ALUMINIUM CLEAT AND COVER | 1 | 1 | 1 | 1 | 1 | 1 | 1 | 1 | ALUMINIUM |
| 16 | SCREWS/BOLTS | 135 | 153 | 135 | 153 | 135 | 153 | 135 | 153 | STEEL |
| 17 | FAUX PED LARGE GABLE | 1 | 1 | 1 | 1 | 1 | 1 | 1 | 1 | PARTICLEBOARD |
| 18 | FAUX PED SHORT GABLE | 1 | 1 | 1 | 1 | 1 | 1 | 1 | 1 | PARTICLEBOARD |
| 19 | FAUX PED BACK | 1 | 1 | 1 | 1 | 1 | 1 | 1 | 1 | PARTICLEBOARD |
| 20 | LOCKER | 1 | 1 | 1 | 1 | 1 | 1 | 1 | 1 | STEEL |

Please contact Global Customer Care at 905-660-5101 for any questions or concerns.

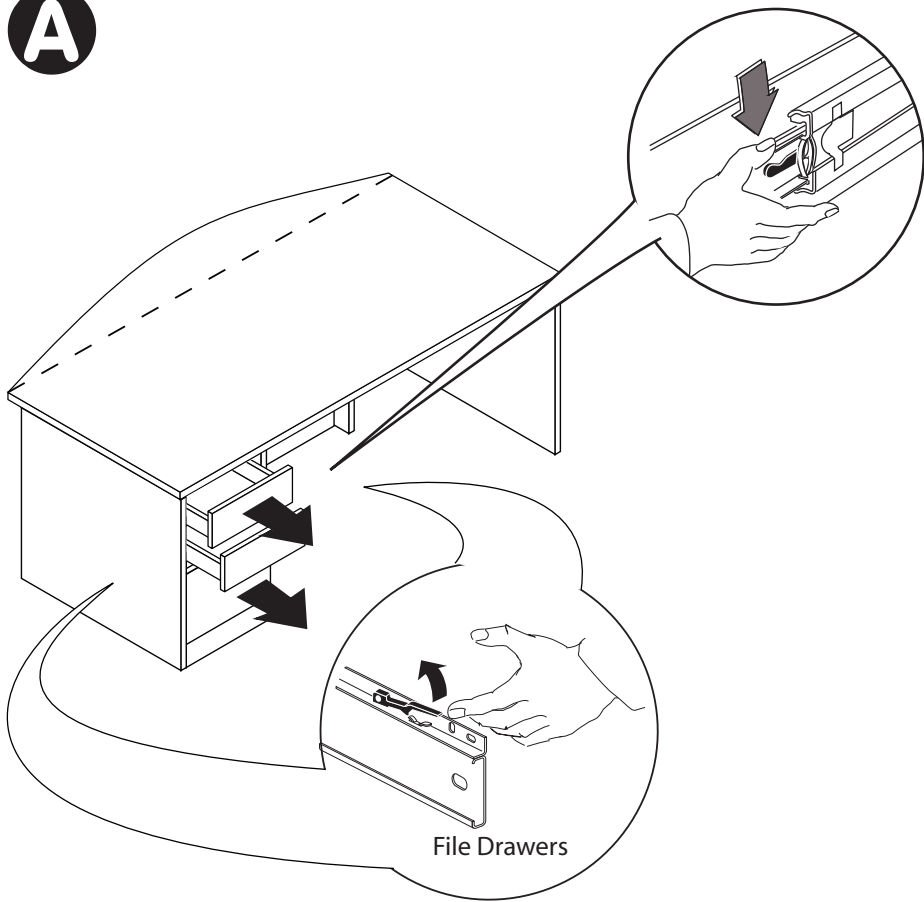
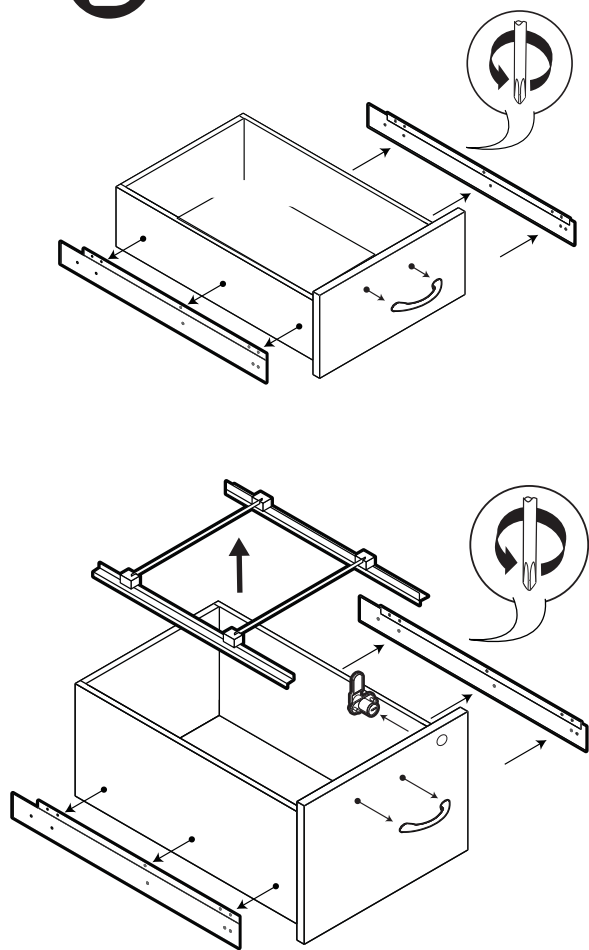
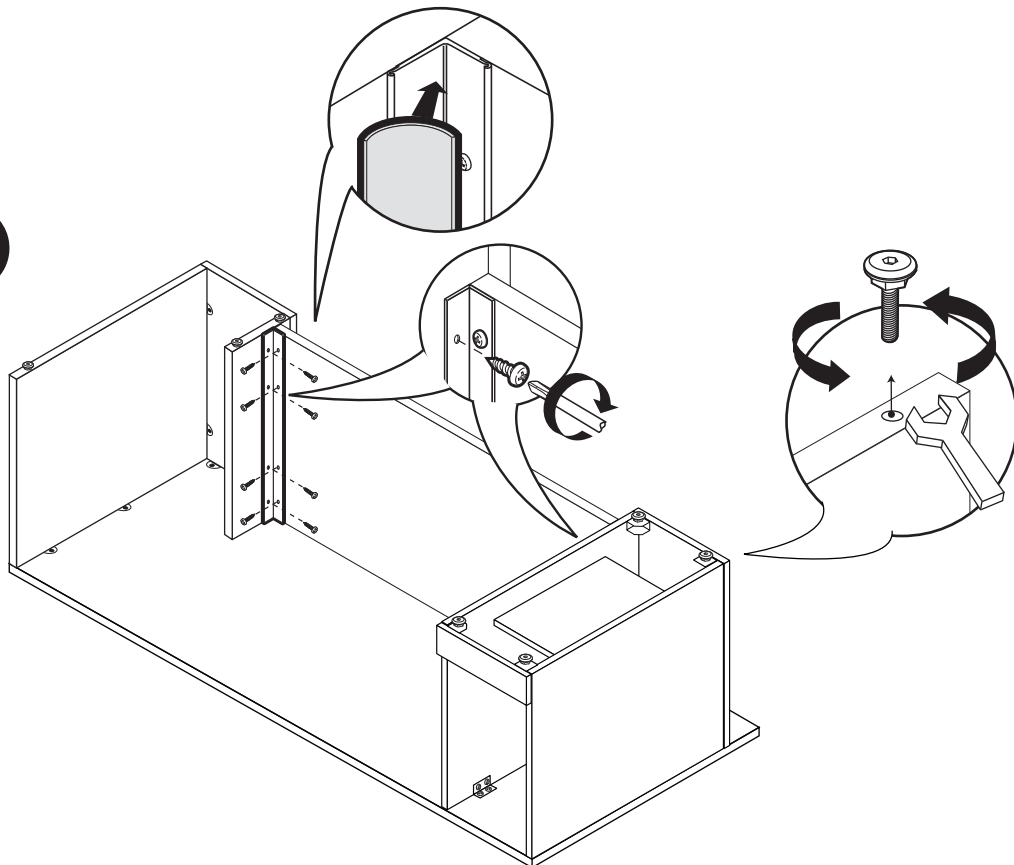
STEPS

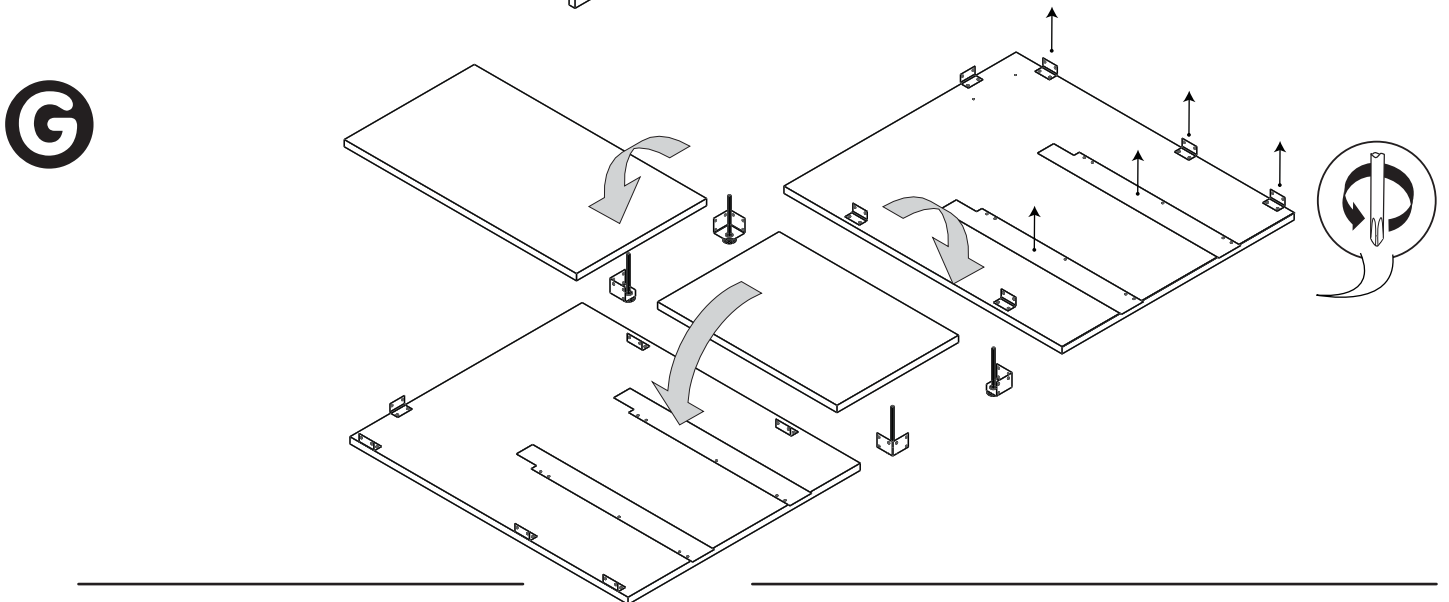
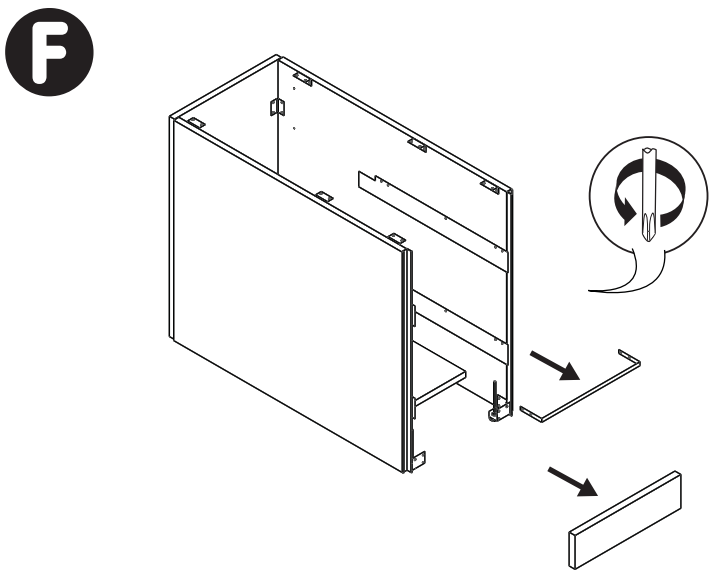
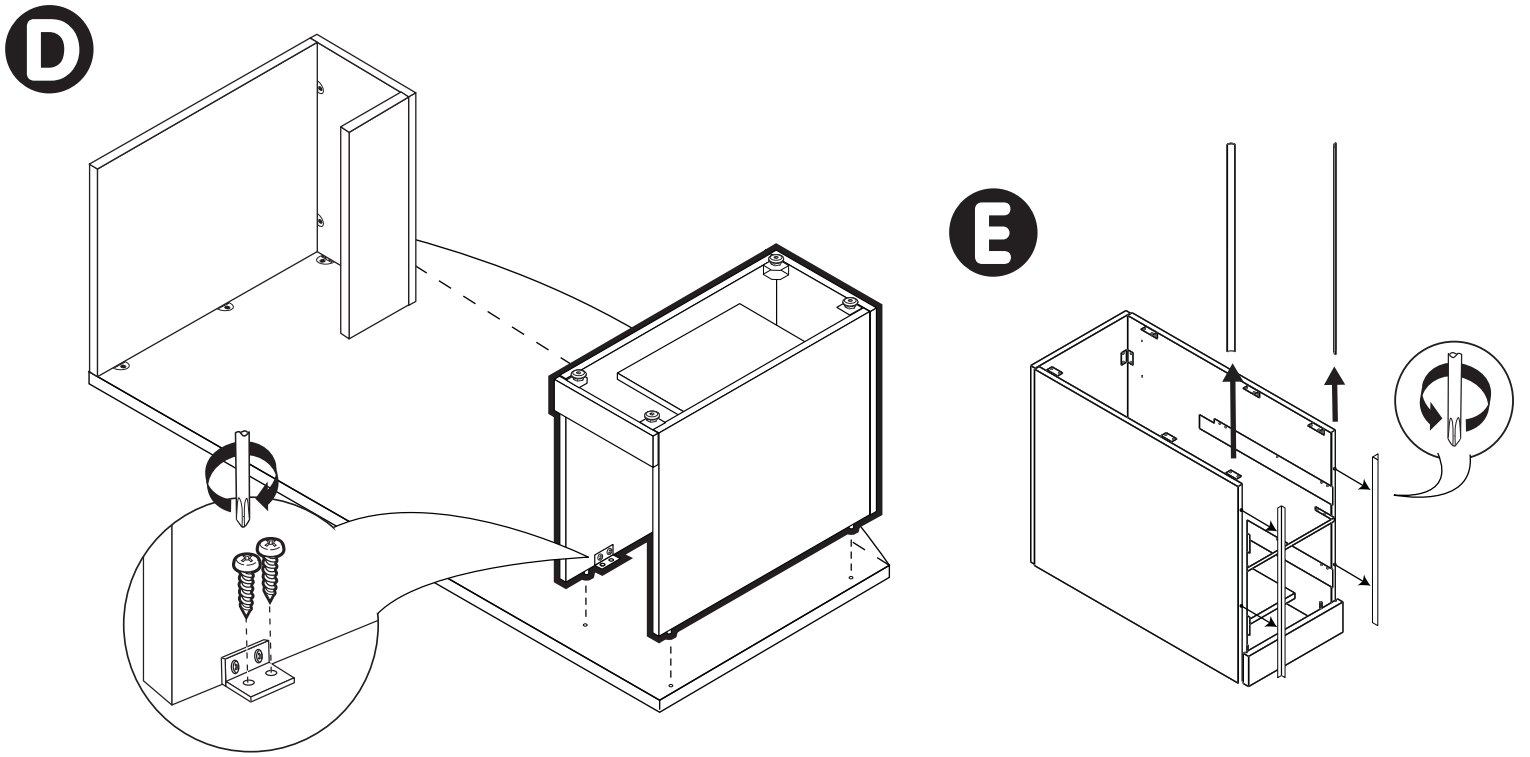
- ➊ Remove Drawers by Fully Extending and Disengaging latch on each slide while pulling drawer out.
- ➋ On Drawer boxes, unscrew and remove slide channels. Remove hanging file system.
- ➌ Remove Aluminium Cleat Cover. Unscrew and remove leveler. Unscrew and remove aluminium cleat and modesty panel.
- ➍ Unscrew and remove pedestal.
- ➎ On Pedestal, slide PVC cover on front edge extrusion off

- ➏ exposing screws. Remove screws using a Robertson screwdriver. Pull extrusion off extrusion.
- ➐ Unscrew and remove pedestal bottom and "C" shape metal.
- ➑ On Pedestal, unscrew and remove "L" plates, glide channels and corner leveler.
- ➒ Untighten Blum Connectors and released Faux ped.
- ➓ Untighten Blum Connectors from Faux ped.
- ➔ Unscrew Blum and Minifix bolts.

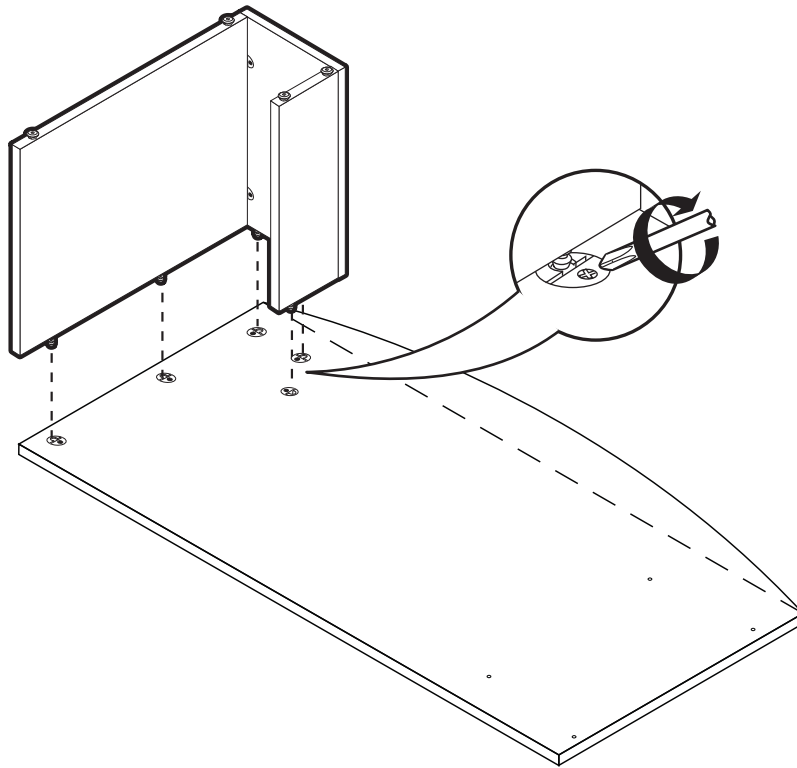
NOTE: Any alterations to listed components will void the manufacturer's warranty. The manufacturer will not be responsible for any damage or bodily harm caused by alterations in accordance with national or local electrical codes and manufacturer's specifications. In accordance with the manufacturer's policy of continual product improvement, the product presented in this document is subject to change without notice or obligation.

ZDIS02 rev: 00

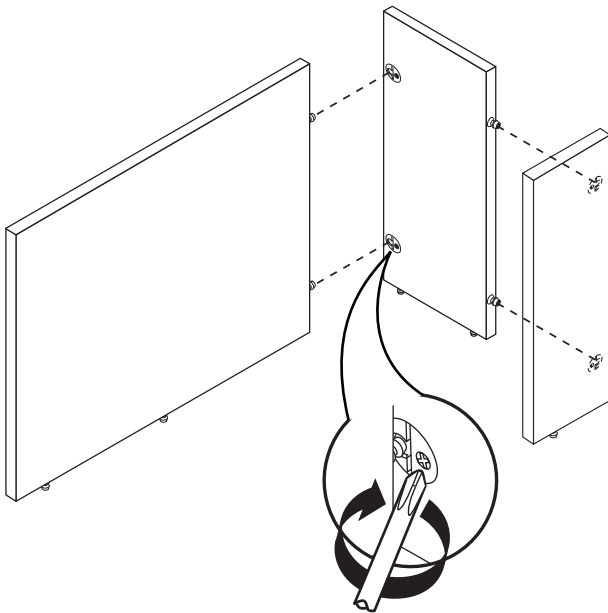
A**B****C**



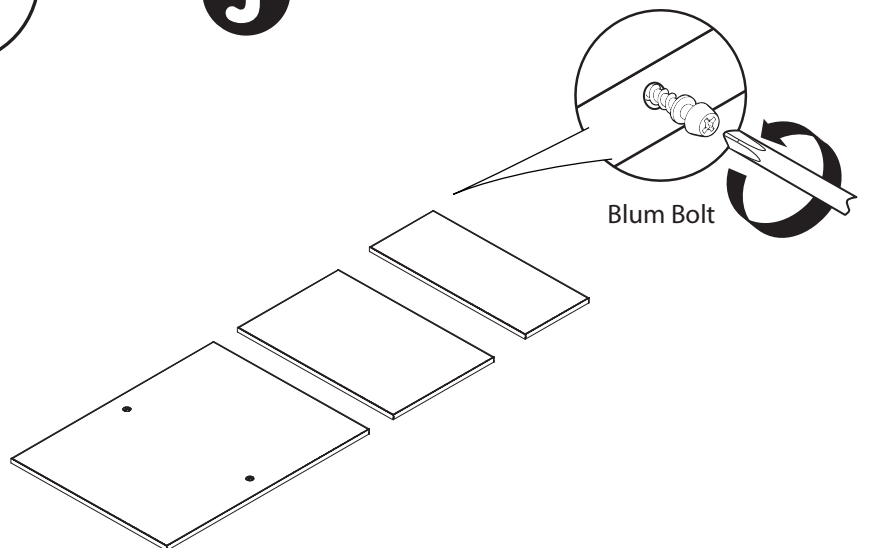
H



I



J



Blum Bolt