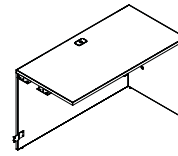


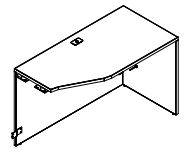


ZIRA

Flush Return
Space Saver Return



Z1636...72R L/R
Z2042...48E L/R
Z2442...48E L/R



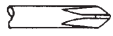
Z2036...7216R L/R
Z2436...7216R L/R

Disassembly Instructions

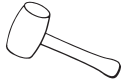
TOOLS REQUIRED



WRENCH
Size #16 or 5/8"



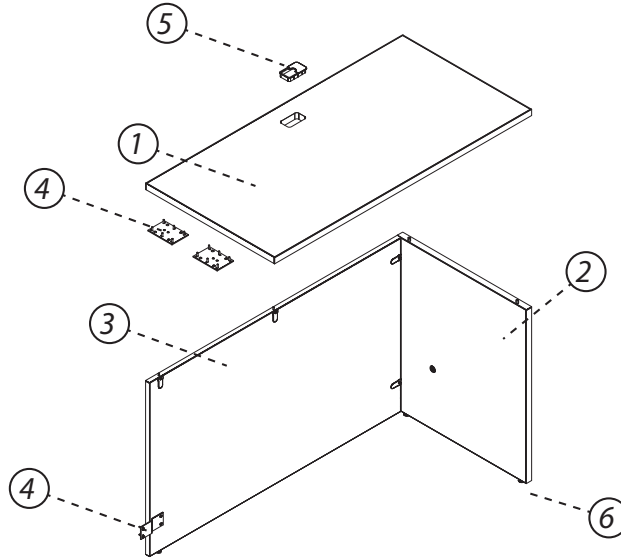
PHILLIPS
Screwdriver size #2



Rubber Mallet



Safety Glasses



STEPS

- A** Unscrew and remove brackets, plate.
- B** Unt ighten Blum and Rafix Connectors.
- C** Unscrew Blum and Rafix bolts. Unscrew and remove leveler.

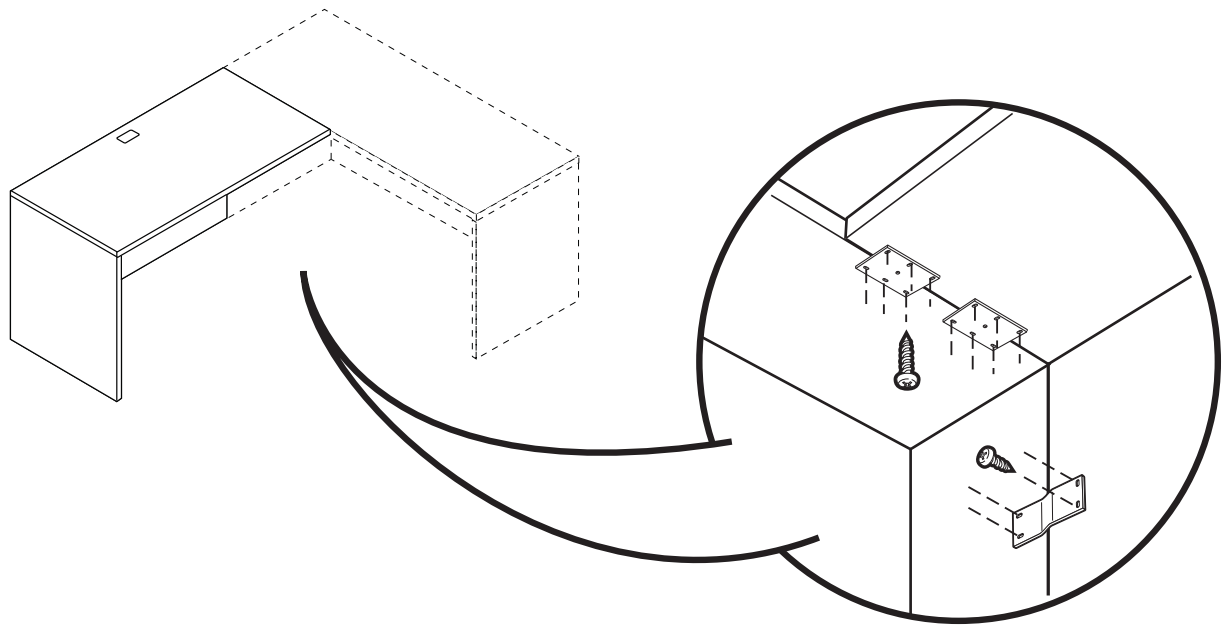
ITEM	DESCRIPTION	QUANTITIES	MATERIAL
1	TOP	1	PARTICLEBOARD
2	SIDE	1	PARTICLEBOARD
3	BACK	1	PARTICLEBOARD
4	BRACKET/PLATE	3	STEEL
5	GROMMET	1	PLASTIC
6	LEVELER	2	STEEL/PLASTIC
7	SCREWS/BOLTS	23	STEEL

Please contact Global Customer Care at 905-660-5101 for any questions or concerns.

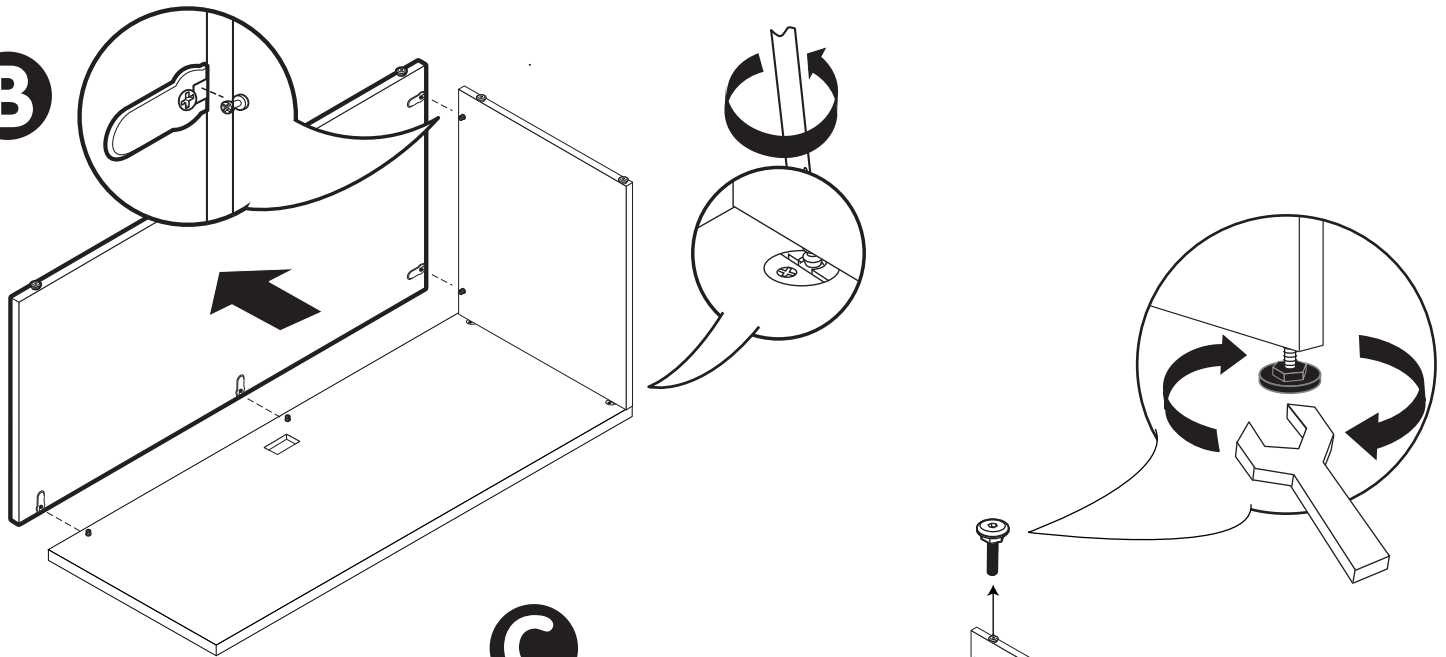
ZDIS03 rev: 00

NOTE: Any alterations to listed components will void the manufacturer's warranty. The manufacturer will not be responsible for any damage or bodily harm caused by alterations in accordance with national or local electrical codes and manufacturer's specifications. In accordance with the manufacturer's policy of continual product improvement, the product presented in this document is subject to change without notice or obligation.

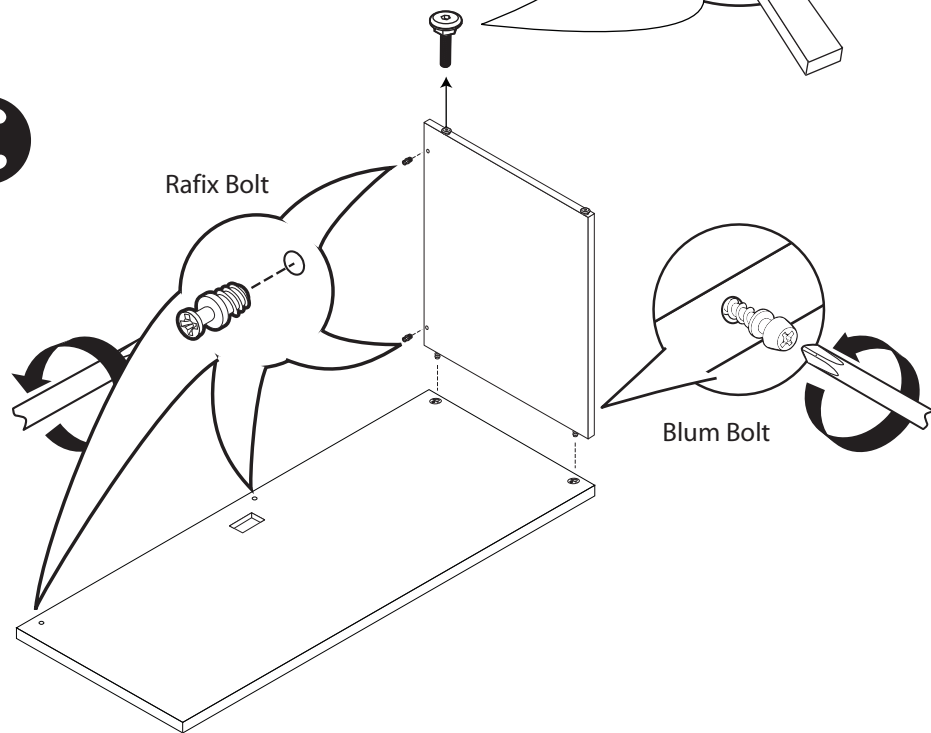
A



B



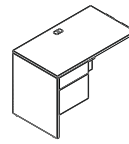
C



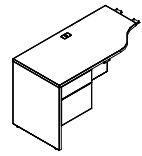


ZIRA

Flush Return with Box/File
Space Saver Return with Box/File



Z2448F L/R
Z2442F L/R
Z2048F L/R
Z2042F L/R



Z3048SF L/R
Z2448SF L/R

Disassembly Instructions

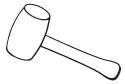
TOOLS REQUIRED



WRENCH
Size #16 or 5/8"



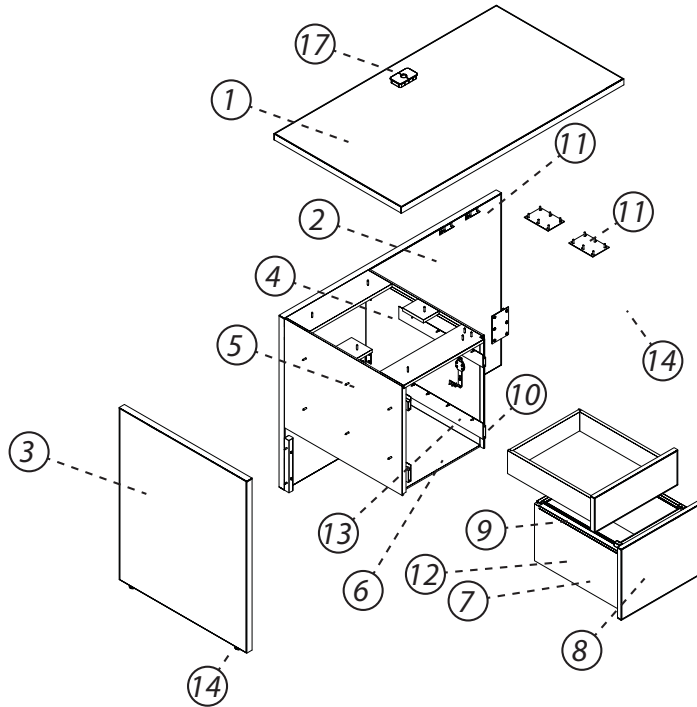
PHILLIPS
Screwdriver size #2



Rubber Mallet



Safety Glasses



STEPS

- A** Remove Drawers by Fully Extending and Disengaging latch on each slide while pulling drawer out.
- B** On Drawer boxes, unscrew and remove slide channels. Remove hanging file system.
- C** Turn unit upside down, slide PVC cover on front edge extrusion off exposing screws. Remove screws using a Robertson screwdriver. Pull extrusion off extrusion.
- D** Unscrew and remove corner brackets, plate, cleat and screws.
- E** Unscrew and remove glide channels and remove locker.
- F** Unscrew and remove leveler.

ITEM	DESCRIPTION	QTY	MATERIAL
1	TOP	1	PARTICLEBOARD
2	BACK	1	PARTICLEBOARD
3	SIDE	1	PARTICLEBOARD
4	RIGHT SIDE - PEDESTAL	1	PARTICLEBOARD
5	LEFT SIDE - PEDESTAL	1	PARTICLEBOARD
6	BOTTOM - PEDESTAL	1	PARTICLEBOARD
7	DRAWER	2	MDF
8	DRAWER FRONT	2	PARTICLEBOARD
9	HANGING FILE SYSTEM	1	STEEL/PLASTIC
10	PVC EDGE EXTRUSION W/ SLIDE CHANNEL	1	PLASTIC
11	CORNER BRACKET/PLATE	10	STEEL
12	SLIDES (INNER)	4	STEEL
13	SLIDES (BASE PLATE)	4	STEEL
14	LEVELER	2	STEEL/PLASTIC
15	SCREWS	99	STEEL
16	LOCKER	1	STEEL
17	GROMMET	1	PLASTIC
18	CLEAT	1	ALUMINIUM

Please contact Global Customer Care at 905-660-5101 for any questions or concerns.

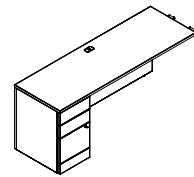
NOTE: Any alterations to listed components will void the manufacturer's warranty. The manufacturer will not be responsible for any damage or bodily harm caused by alterations in accordance with national or local electrical codes and manufacturer's specifications. In accordance with the manufacturer's policy of continual product improvement, the product presented in this document is subject to change without notice or obligation.

Z_{Dis}04 rev: 00



ZIRA

Full to Floor Flush Return



Z2448..723 L/R
Z2048..723 L/R

Disassembly Instructions

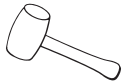
TOOLS REQUIRED



WRENCH
Size #16 or 5/8"



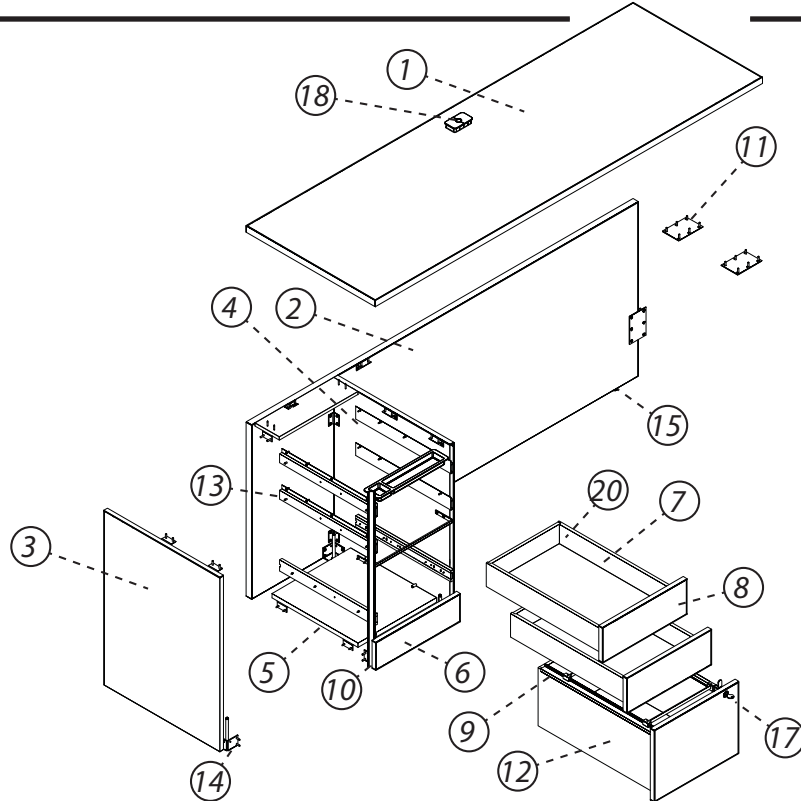
PHILLIPS
Screwdriver size #2



Rubber Mallet



Safety Glasses



STEPS

A Remove Drawers by Fully Extending and Disengaging latch on each slide while pulling drawer out.

B On Drawer boxes, unscrew and remove slide channels, handles and door lock mechanism . Remove hanging file system.

C Turn unit upside down, slide PVC cover on front edge extrusion off exposing screws. Remove screws using a Robertson screwdriver. Pull extrusion off extrusion. Unscrew and remove pedestal bottom and "C" shape metal.

D Unscrew and remove corner brackets. Pull over aluminium cleat cover. Unscrew screws and remove aluminium cleat.

E Unscrew and remove glide channels.

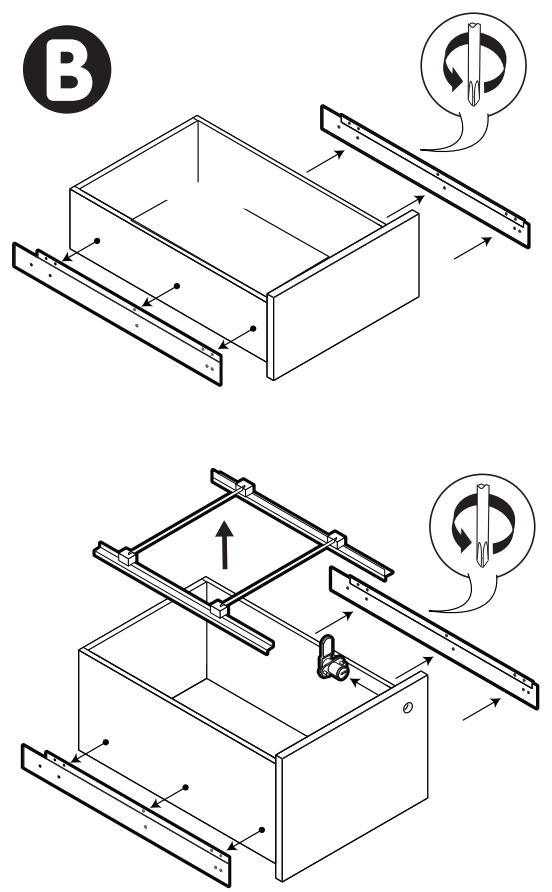
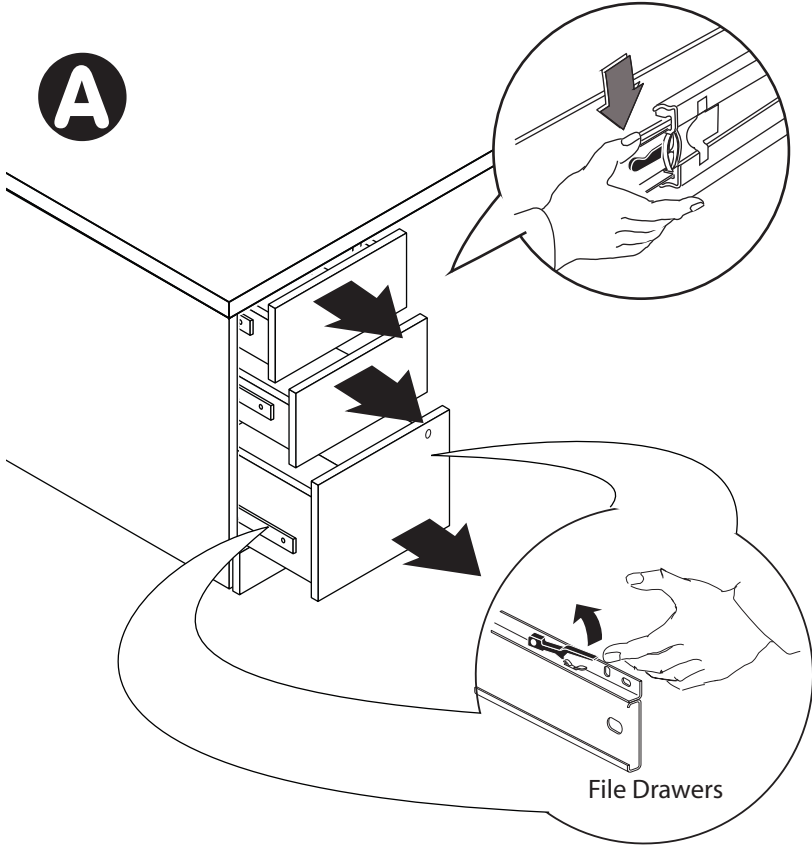
F Unscrew and remove leveler.

ITEM	DESCRIPTION	QTY	MATERIAL
1	TOP	1	PARTICLEBOARD
2	BACK	1	PARTICLEBOARD
3	SIDE	1	PARTICLEBOARD
4	RIGHT SIDE - PEDESTAL	1	PARTICLEBOARD
5	BOTTOM - PEDESTAL	1	PARTICLEBOARD
6	KICKBASE - PEDESTAL	1	PARTICLEBOARD
7	DRAWER	3	MDF
8	DRAWER FRONT	3	PARTICLEBOARD
9	HANGING FILE SYSTEM	1	STEEL/PLASTIC
10	PVC EDGE EXTRUSION W/ SLIDE CHANNEL	2	PLASTIC
11	CORNER BRACKET/PLATE	19	STEEL
12	SLIDES (INNER)	6	STEEL
13	SLIDES (BASE PLATE)	6	STEEL
14	CORNER BRACKET W/LEVELER	4	STEEL
15	LEVELER	1	STEEL/PLASTIC
16	SCREWS	148	STEEL
17	LOCKER	1	STEEL
18	GROMMET	1	PLASTIC
19	PENCIL TRAY	1	PLASTIC

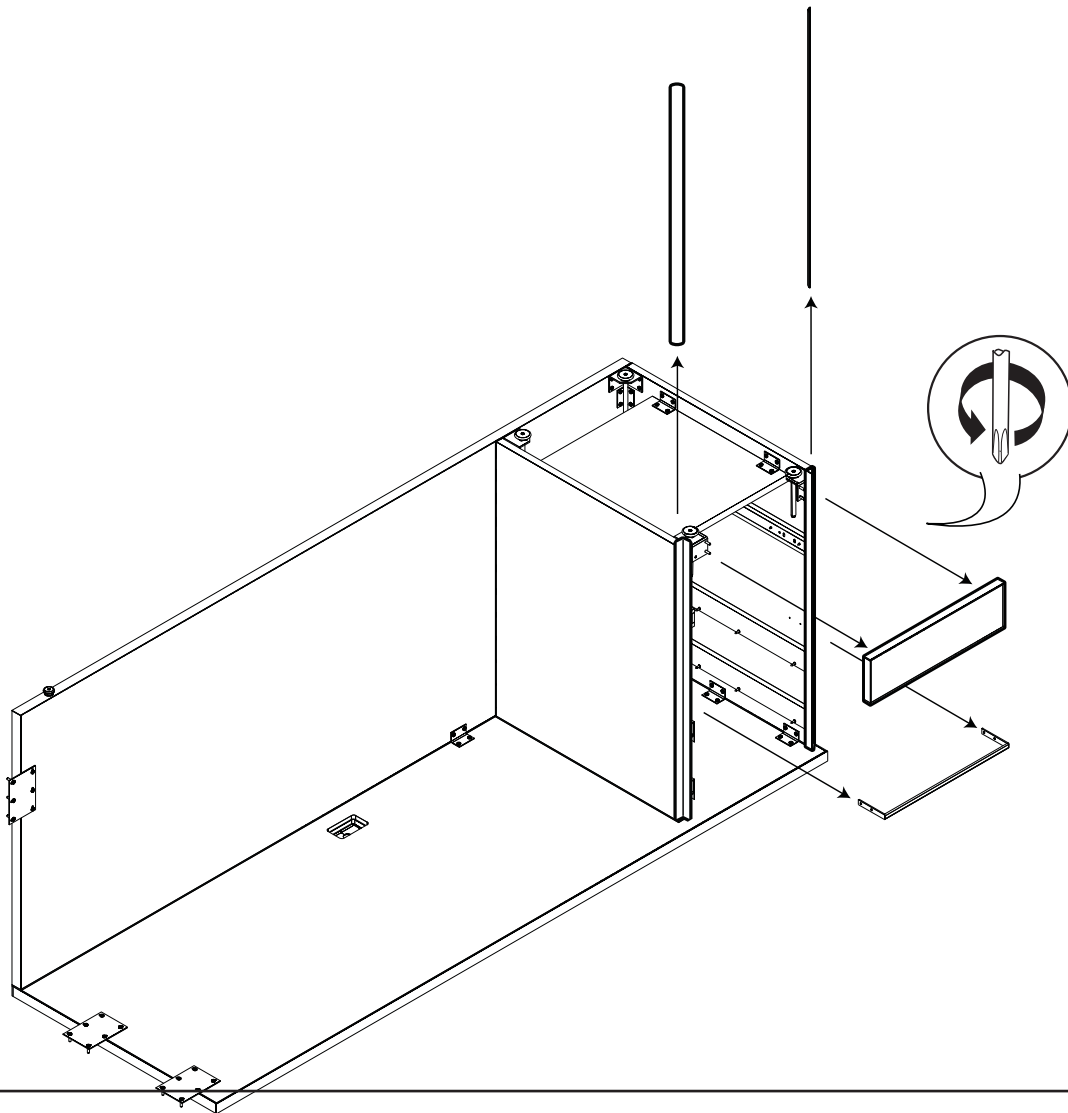
Please contact Global Customer Care at 905-660-5101 for any questions or concerns.

Z_{DIS}05 rev: 00

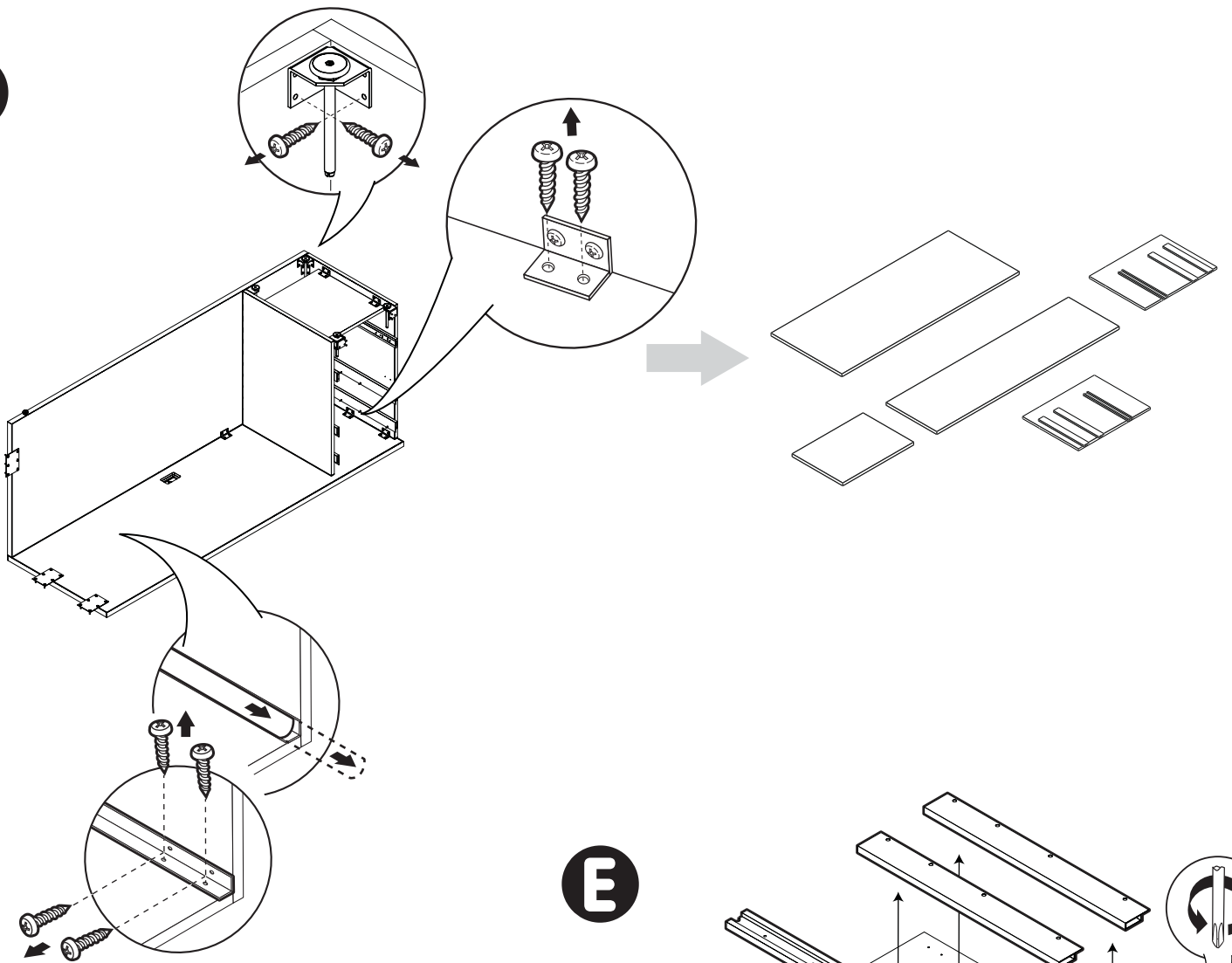
NOTE: Any alterations to listed components will void the manufacturer's warranty. The manufacturer will not be responsible for any damage or bodily harm caused by alterations in accordance with national or local electrical codes and manufacturer's specifications. In accordance with the manufacturer's policy of continual product improvement, the product presented in this document is subject to change without notice or obligation.



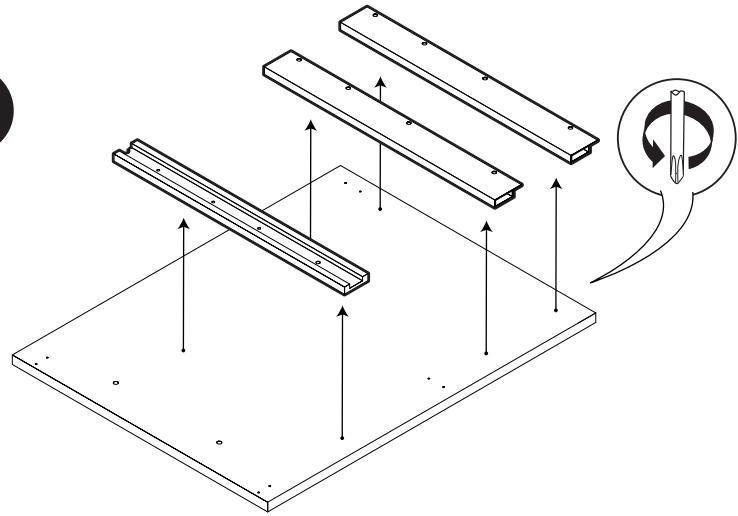
C



D



E



F

