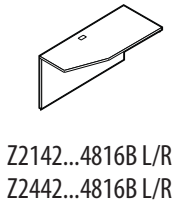
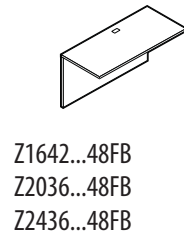
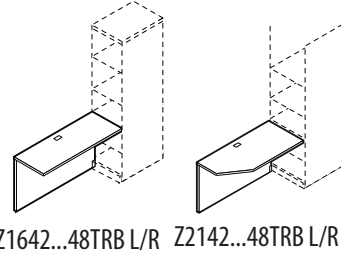




ZIRA

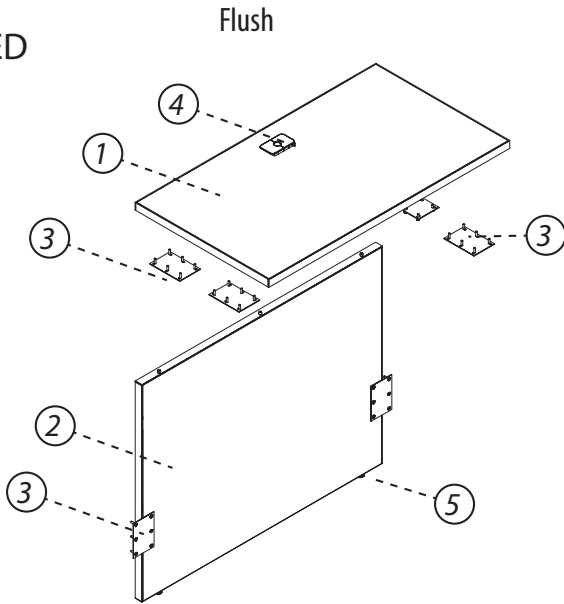
Flush Bridge  
Space Saver Bridge  
Flush Bridge/Space Saver Bridge to connect storage module.



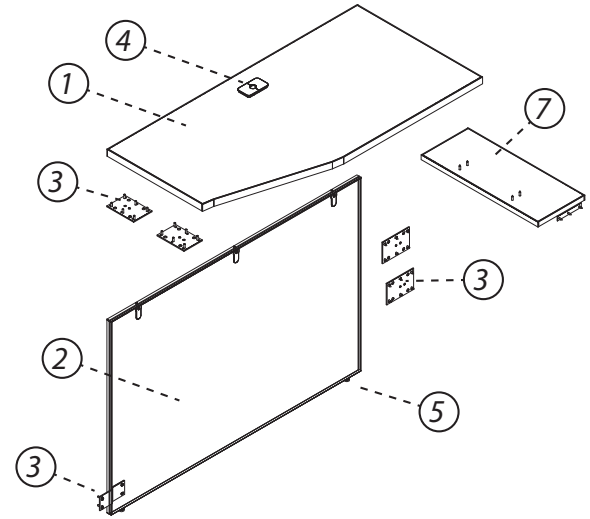
# Disassembly Instructions

### TOOLS REQUIRED

-  WRENCH  
Size #16 or 5/8"
-  PHILLIPS  
Screwdriver size #2
-  Rubber Mallet
-  Safety Glasses



### Space Saver Bridge to connect storage module.



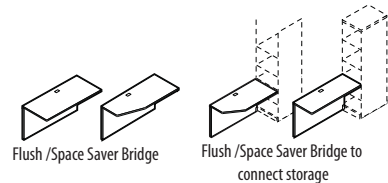
### STEPS

For Flush Bridge and Space Saver Bridge:

- A** Unscrew and remove brackets/plate.
- B** Unscrew and remove brackets/plate and wood connector.
- C** Untighten Blum and Rafix connectors. Unscrew and remove leveler.
- D** Unscrew Blum and Rafix bolts.

For Flush Bridge/Space Saver Bridge to connect storage module:

- A** Unscrew and remove brackets/plate and wood connector.
- B** Unscrew and remove brackets/plate and wood connector.
- C** Untighten Blum and Rafix connectors. Unscrew and remove leveler.
- D** Unscrew Blum and Rafix bolts.



ITEM	DESCRIPTION	QUANTITIES		MATERIAL
1	TOP	1	1	PARTICLEBOARD
2	BACK	1	1	PARTICLEBOARD
3	BRACKET/PLATE	6	7	STEEL
4	GROMMET	1	1	PLASTIC
5	LEVELER	2	2	STEEL/PLASTIC
6	SCREWS/BOLTS	39	47	STEEL
7	WOOD CONNECTOR		1	PARTICLEBOARD

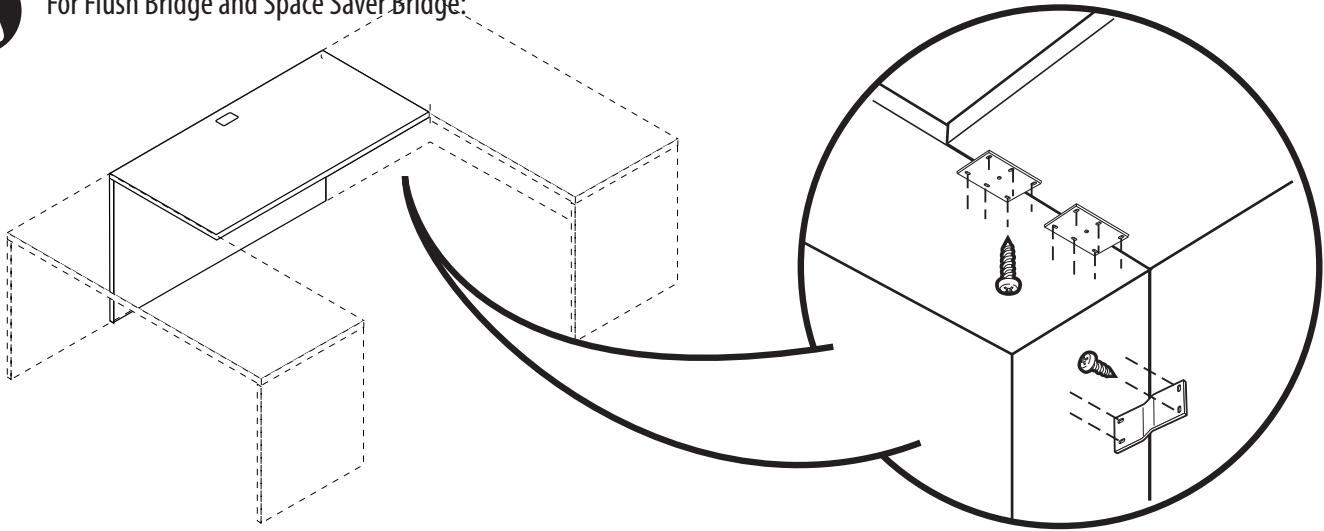
Please contact Global Customer Care at 905-660-5101 for any questions or concerns.

Z<sub>DIS</sub>06 rev: 00

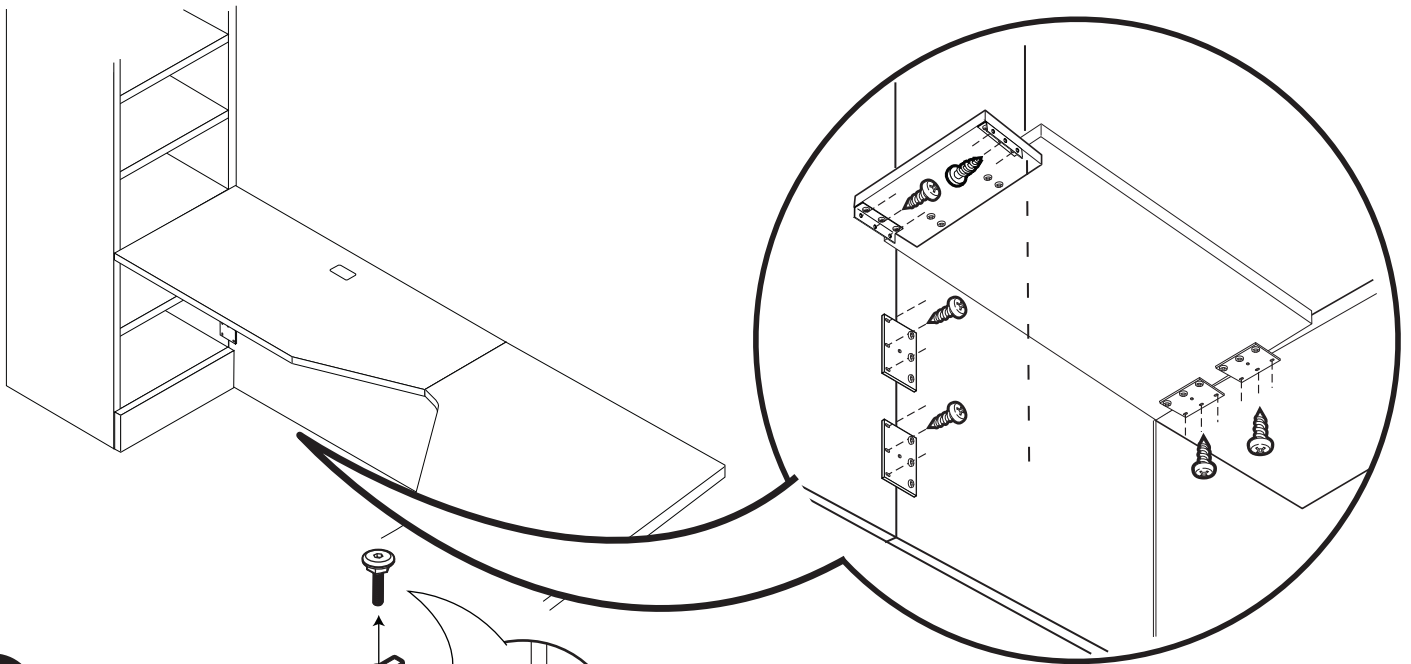
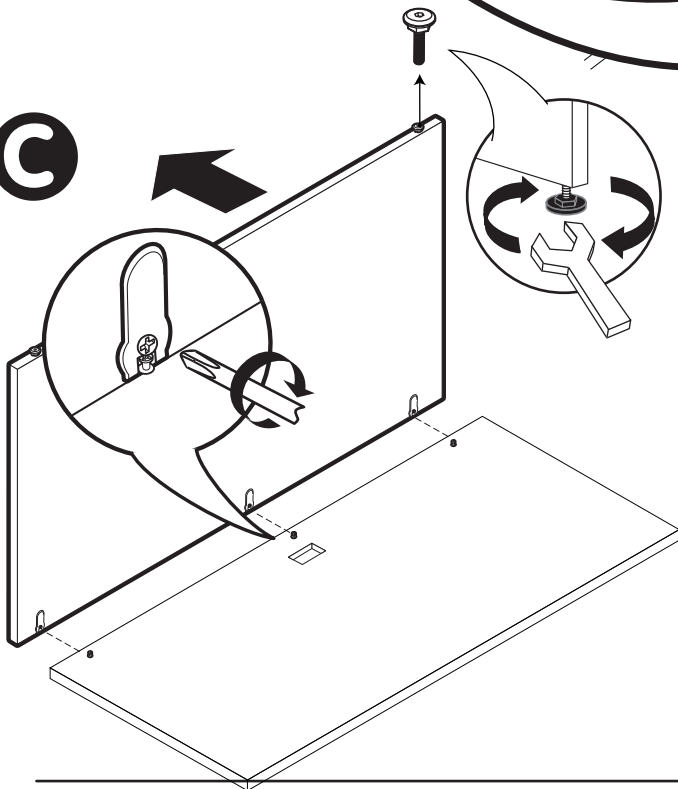
NOTE: Any alterations to listed components will void the manufacturer's warranty. The manufacturer will not be responsible for any damage or bodily harm caused by alterations in accordance with national or local electrical codes and manufacturer's specifications. In accordance with the manufacturer's policy of continual product improvement, the product presented in this document is subject to change without notice or obligation.

**A**

For Flush Bridge and Space Saver Bridge:

**B**

For Flush Bridge/Space Saver Bridge to connect storage module:

**C****D**