

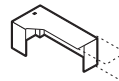


ZIRA

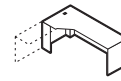
Extended Corners
5 Sided Corners



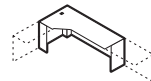
Z2466..72FF L/R
Z2066...72FF L/R



Z2466..72FN L/R
Z2066...72FN L/R



Z2466..72NF L/R
Z2066...72NF L/R



Z2466..72NN L/R
Z2066...72NN L/R



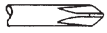
5 Sided Corner
Z42245C
Z42205C
Z42165C
Z36205C
Z36165C

Disassembly Instructions

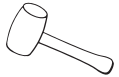
TOOLS REQUIRED



WRENCH
Size #16 or 5/8"



PHILLIPS
Screwdriver size #2



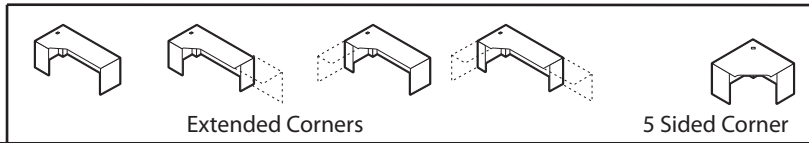
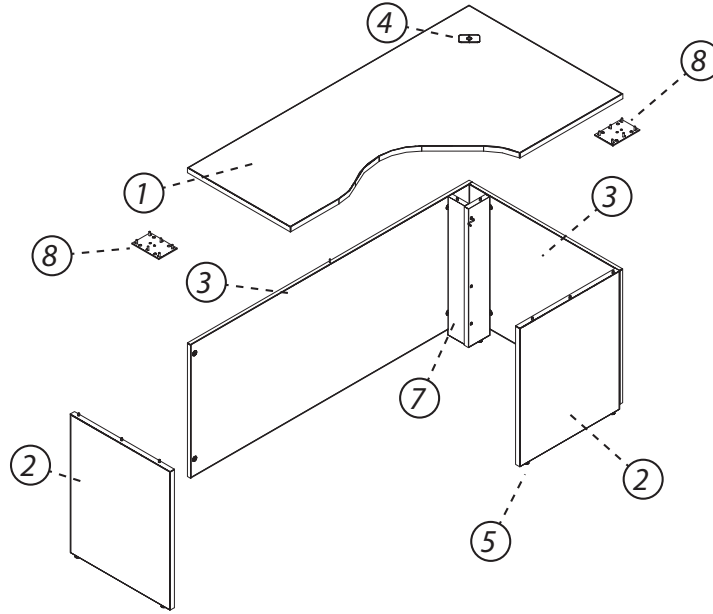
Rubber Mallet



Safety Glasses



ALLEN KEY
Size #5



ITEM	DESCRIPTION	QUANTITIES					MATERIAL
		Extended Corners	Extended Corners	Extended Corners	Extended Corners	5 Sided Corner	
1	TOP	1	1	1	1	1	PARTICLEBOARD
2	SIDE	2	2	2	2	2	PARTICLEBOARD
3	BACK	1	1	1	1	1	PARTICLEBOARD
4	GROMMET	1	1	1	1	1	PLASTIC
5	LEVELER	4	4	4	4	4	STEEL/PLASTIC
6	SCREWS/BOLTS	19	26	26	25	25	STEEL
7	POST PANEL	2	2	2	2	2	PARTICLEBOARD
8	BRACKET/PLATE		1	1	1	1	STEEL

Please contact Global Customer Care at 905-660-5101 for any questions or concerns.

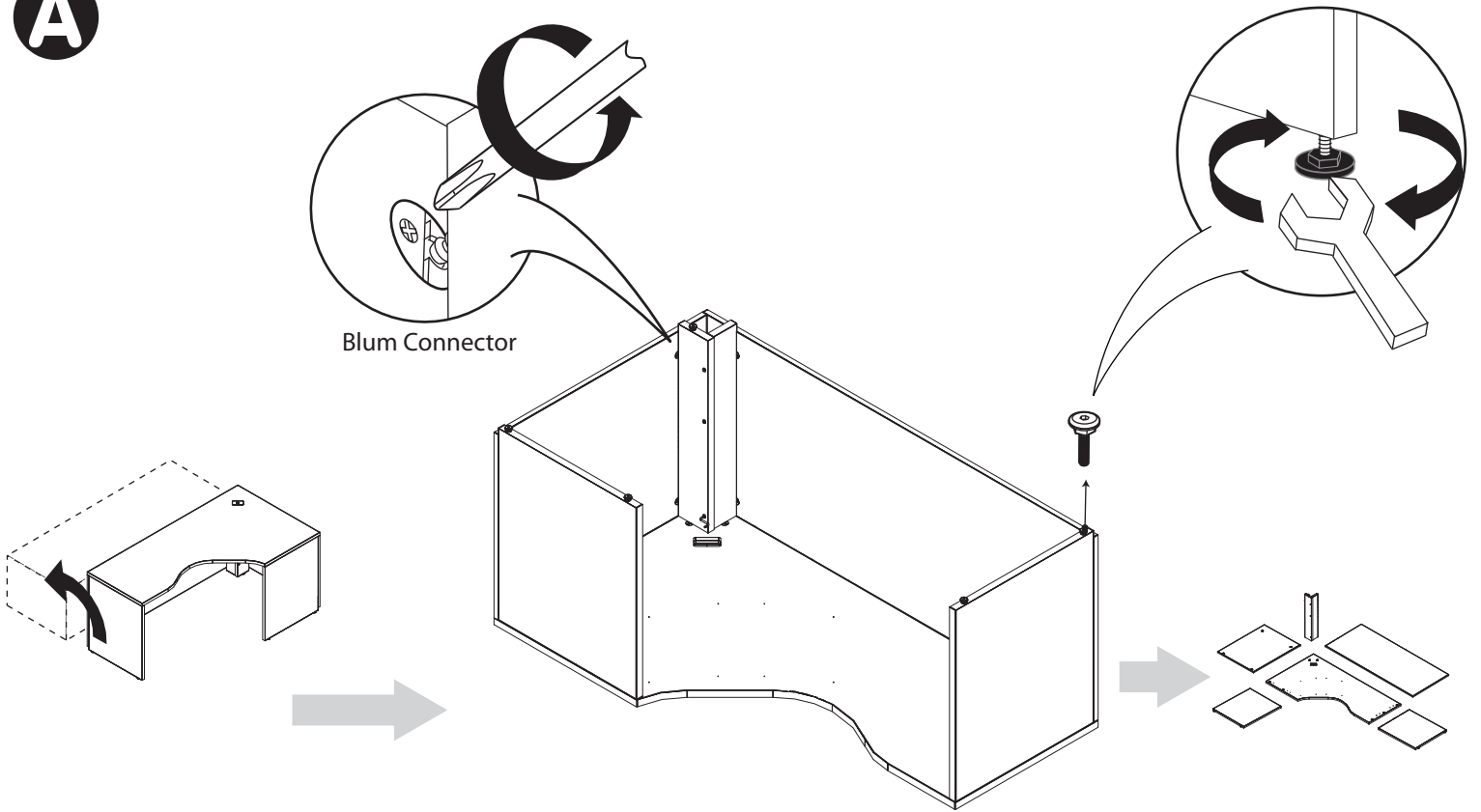
ZDis 16 rev: 00

STEPS

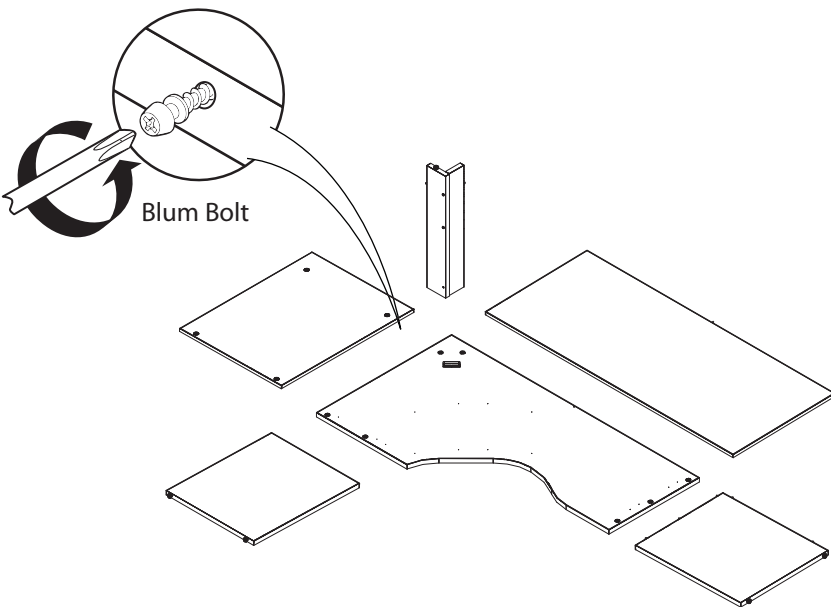
- A** Turn unit. Untighten Blum Connectors. Unscrew and remove leveler.
- B** Unscrew Blum bolts.
- C** Remove screws from Post panel.

NOTE: Any alterations to listed components will void the manufacturer's warranty. The manufacturer will not be responsible for any damage or bodily harm caused by alterations in accordance with national or local electrical codes and manufacturer's specifications. In accordance with the manufacturer's policy of continual product improvement, the product presented in this document is subject to change without notice or obligation.

A



B



C

