

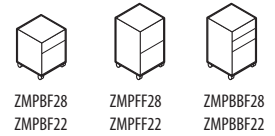


ZIRA

Mobile Pedestal

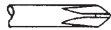
Mobile Pedestal

Mobile Pedestal w/Overhang

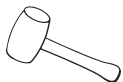


Disassembly Instructions

TOOLS REQUIRED



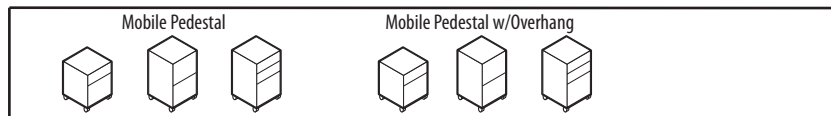
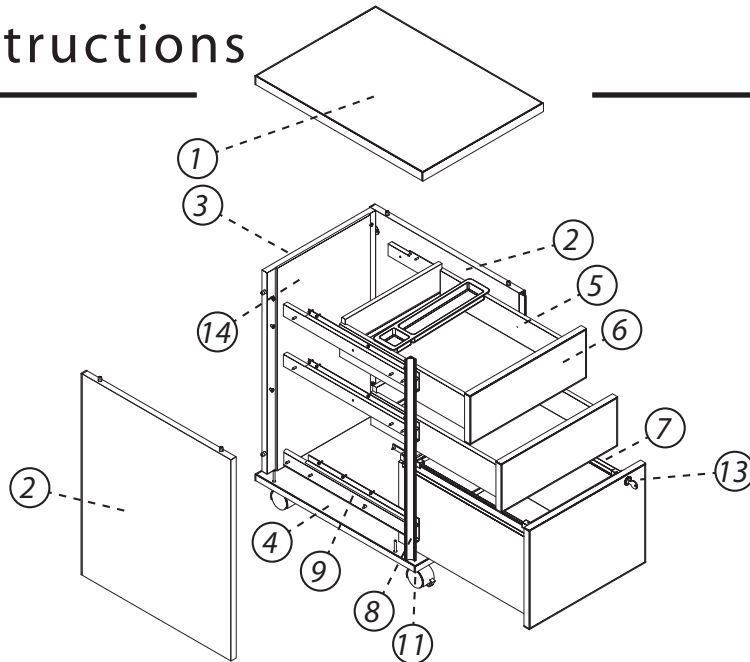
PHILLIPS
Screwdriver size #2



Rubber Mallet



Safety Glasses



ITEM	DESCRIPTION	QUANTITIES						MATERIAL
		Mobile Pedestal	Mobile Pedestal	Mobile Pedestal	Mobile Pedestal w/Overhang	Mobile Pedestal w/Overhang	Mobile Pedestal w/Overhang	
1	TOP	1	1	1	1	1	1	PARTICLEBOARD
2	SIDE	2	2	2	2	2	2	PARTICLEBOARD
3	BACK	1	1	1	1	1	1	PARTICLEBOARD
4	BOTTOM	1	1	1	1	1	1	PARTICLEBOARD
5	DRAWER	2	2	3	2	2	3	MDF
6	DRAWER FRONT	2	2	3	2	2	3	PARTICLEBOARD
7	HANGING FILE SYSTEM	1	2	1	1	2	1	STEEL/PLASTIC
8	PVC EDGE EXT. W/SLIDE CHANNEL	2	2	2	2	2	2	PLASTIC
9	SLIDES (INNER)	4	4	6	4	4	6	STEEL
10	SLIDES (BASE PLATE)	4	4	6	4	4	6	STEEL
11	CASTER	4	4	4	4	4	4	STEEL
12	SCREWS/BOLTS	104	92	88	73	72	88	STEEL
13	LOCKER	1	1	1	1	1	1	STEEL
14	COUNTERWEIGHT	1	1	1	1	1	1	STEEL

Please contact Global Customer Care at 905-660-5101 for any questions or concerns.

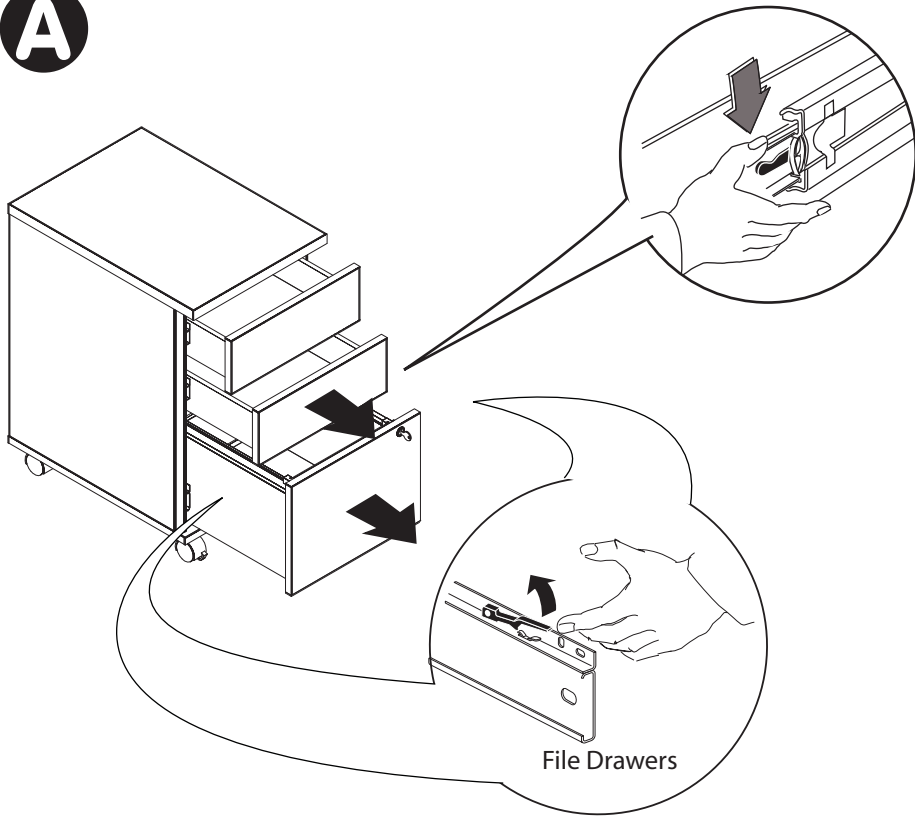
STEPS

- A** Remove Drawers by Fully Extending and Disengaging latch on each slide while pulling drawer out.
- B** On Drawer boxes, unscrew and remove slide channels. Remove hanging file system.
- C** Untighten Blum Connectors and remove top. Slide PVC cover on front edge extrusion off exposing screws. Remove screws using a Robertson screwdriver. Pull extrusion off extrusion. Unscrew and remove pedestal bottom and "C" shape metal.
- D** Turn unit. Untighten Blum Connectors. Unscrew and remove casters and Bottom.
- E** Unscrew and remove glide channels and Counterweight.

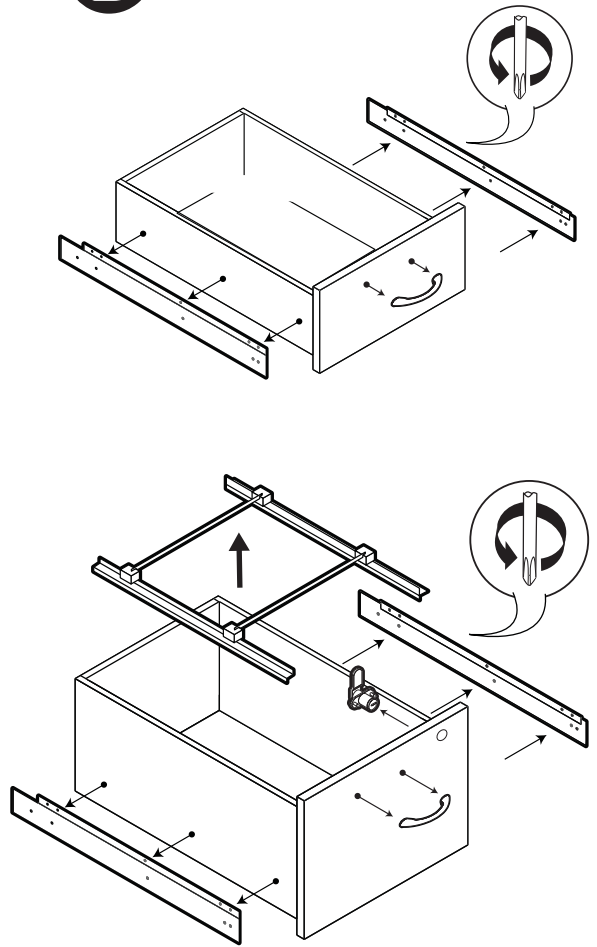
NOTE: Any alterations to listed components will void the manufacturer's warranty. The manufacturer will not be responsible for any damage or bodily harm caused by alterations in accordance with national or local electrical codes and manufacturer's specifications. In accordance with the manufacturer's policy of continual product improvement, the product presented in this document is subject to change without notice or obligation.

Z-Dis 23 rev: 00

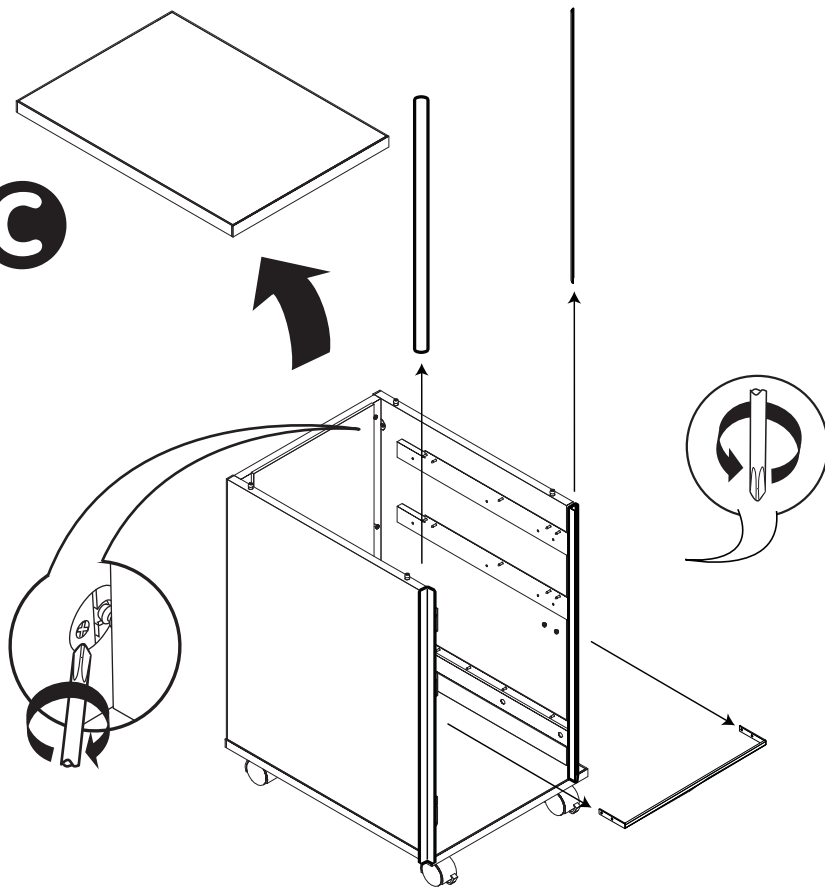
A



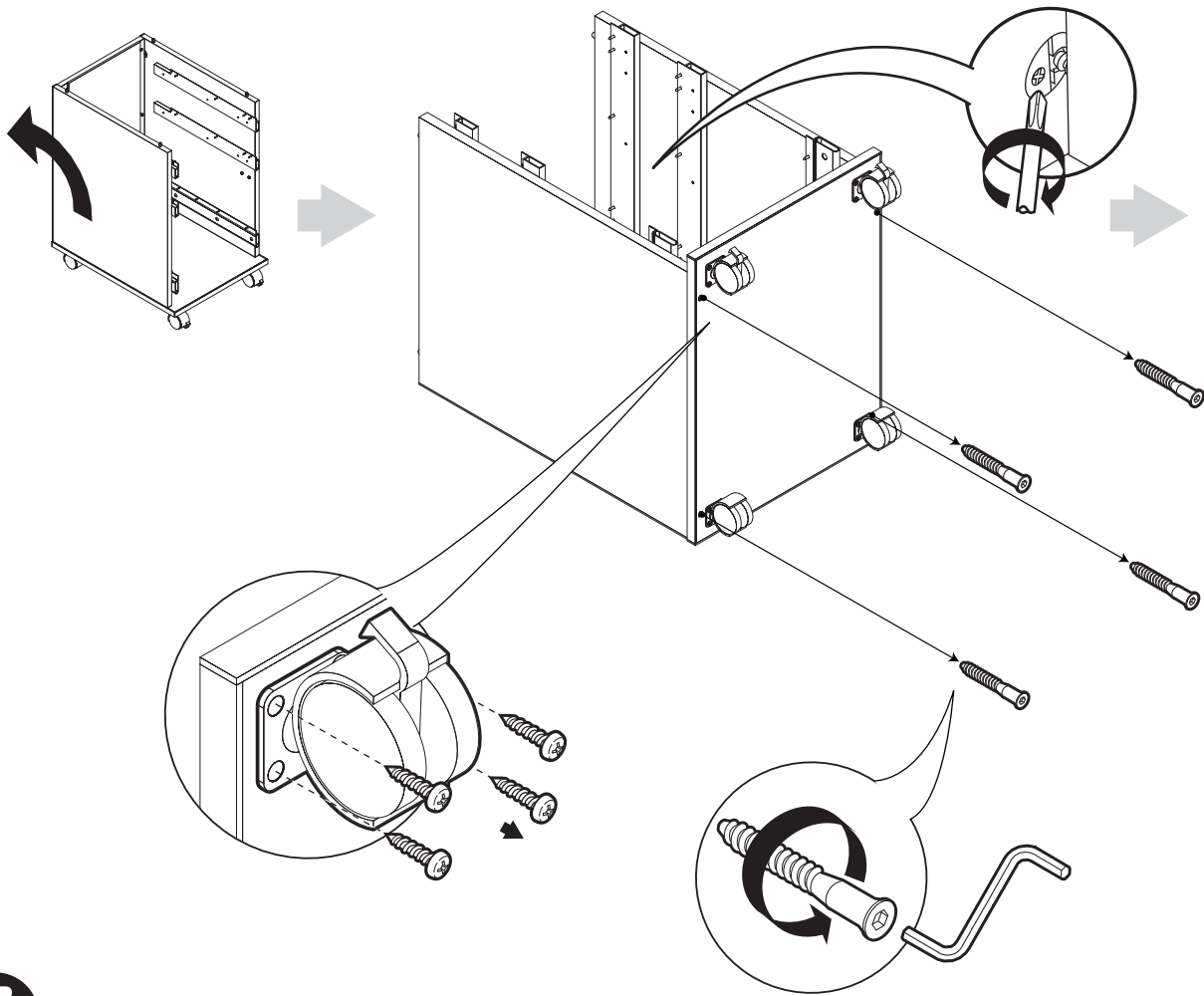
B



C



D



E

