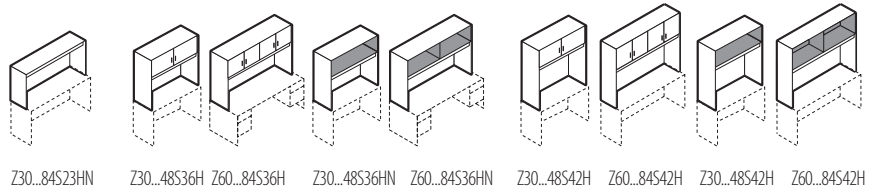




ZIRA
Hutches

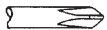


Disassembly Instructions

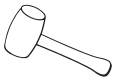
TOOLS REQUIRED



ALLEN KEY
Size #5



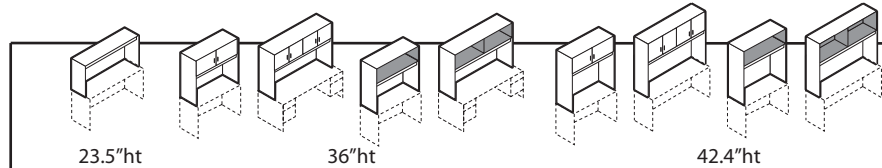
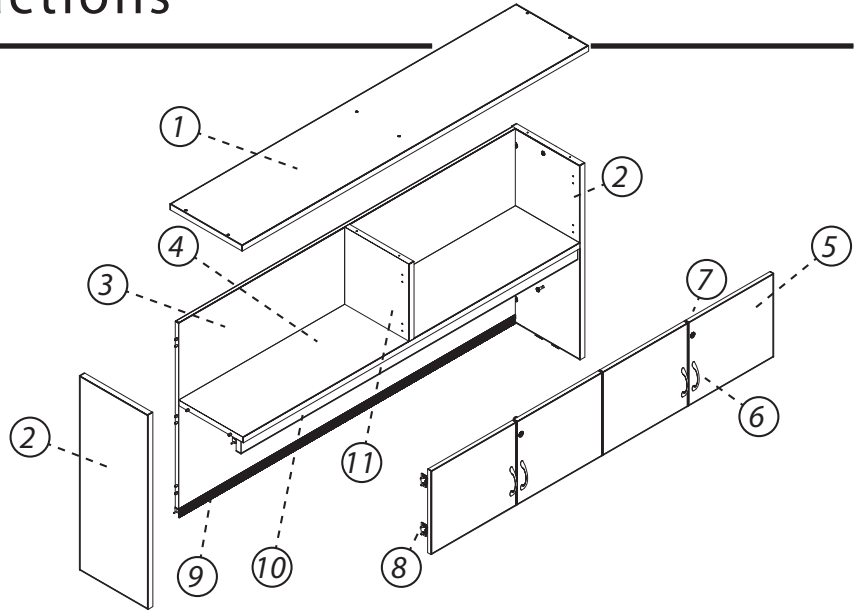
PHILLIPS
Screwdriver size #2



Rubber Mallet



Safety Glasses



ITEM	DESCRIPTION	QUANTITIES					MATERIAL
		30" to 84" w	30" to 48" w - 60" to 84" w	30" to 48" w - 60" to 84" w	30" to 48" w - 60" to 84" w	30" to 48" w - 60" to 84" w	
1	TOP	1	1	1	1	1	PARTICLEBOARD
2	SIDE	2	2	2	2	2	PARTICLEBOARD
3	BACK	1	1	1	1	1	PARTICLEBOARD
4	SHELF		1	1	1	1	PARTICLEBOARD
5	DOOR		2 - 4		2 - 4		PARTICLEBOARD
6	HANDLES		2 - 4		2 - 4		ALUMINIUM
7	DOOR LOCK MECHANISM		1		1		STEEL
8	HINGES		4 - 8		4 - 8		STEEL
9	COVER	1	1	1	1	1	PLASTIC
10	FRONT	1	1	1	1	1	PARTICLEBOARD
11	MIDDLE PANEL		0 - 1	0 - 1	0 - 1	0 - 1	PARTICLEBOARD
10	SCREWS/BOLTS	19	47 - 68	30 - 38	53 - 60	36 - 44	STEEL

Please contact Global Customer Care at 905-660-5101 for any questions or concerns.

STEPS

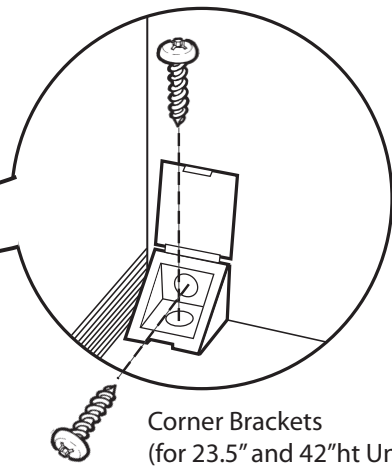
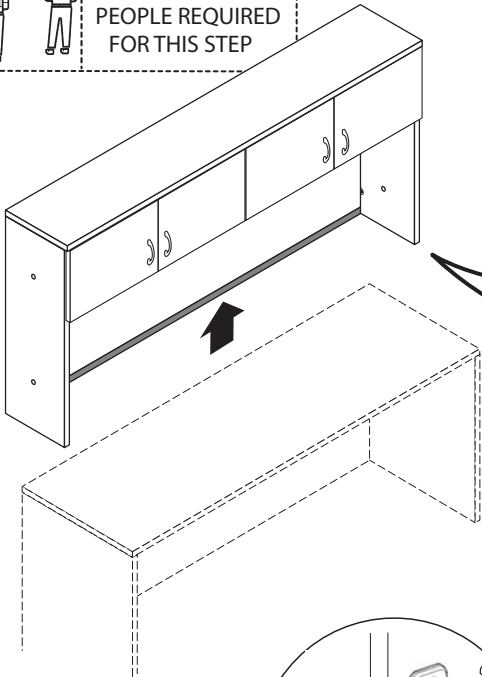
- A** Remove Corner Brackets and carefully pull up hutch.
- B** For units w/door: Remove door by pressing on back of hinges and pulling doors forward.
- C** For units w/door: Unscrew and remove hinges, handles and door lock mechanism from doors.
- D** Turn unit. For units w/door: Unscrew door stopper.
- E** Untighten Blum Connectors. Remove screws.
- F** Unscrew Blum bolts.

NOTE: Any alterations to listed components will void the manufacturer's warranty. The manufacturer will not be responsible for any damage or bodily harm caused by alterations in accordance with national or local electrical codes and manufacturer's specifications. In accordance with the manufacturer's policy of continual product improvement, the product presented in this document is subject to change without notice or obligation.

Z_{DIS}40 rev: 00

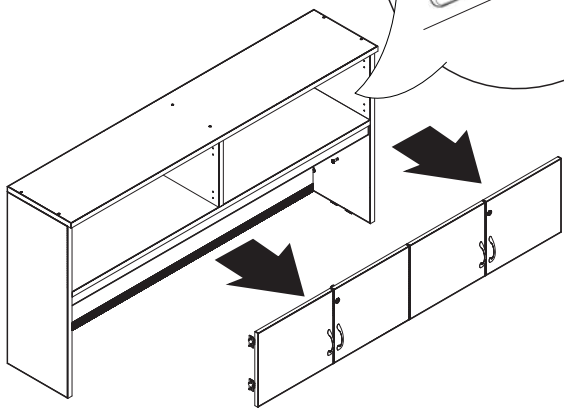
A

FOR SAFETY :TWO
PEOPLE REQUIRED
FOR THIS STEP

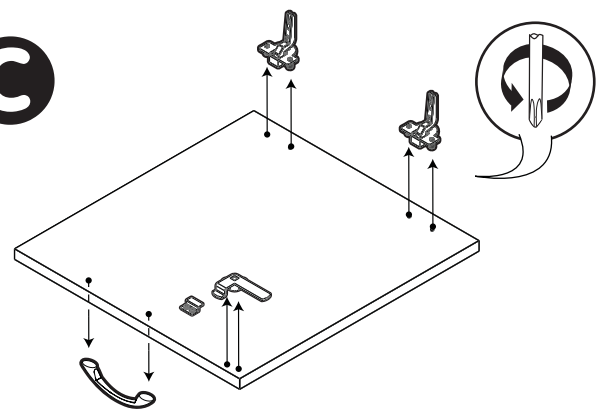


Corner Brackets
(for 23.5" and 42"ht Units)

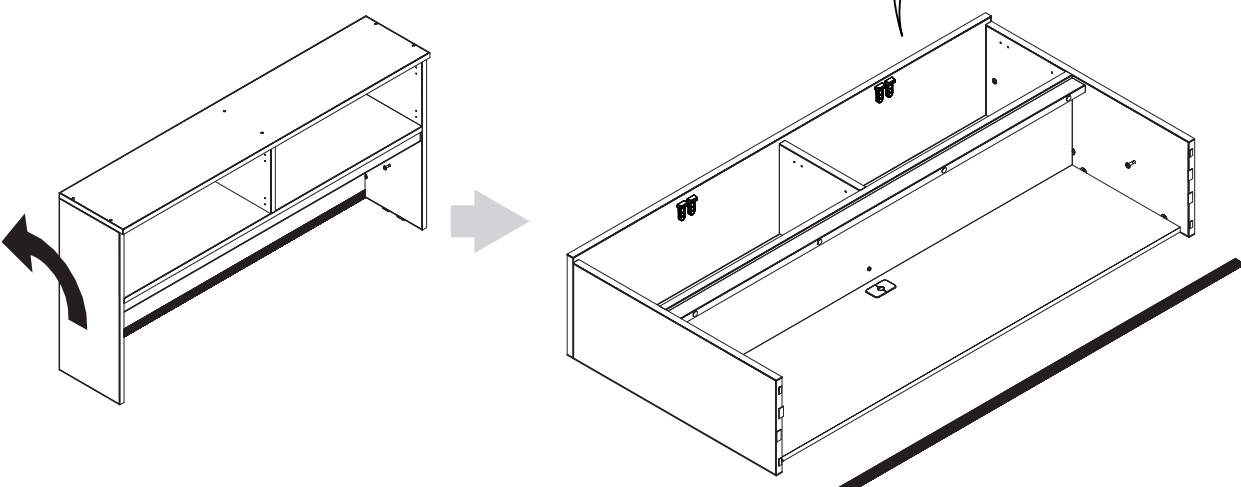
B



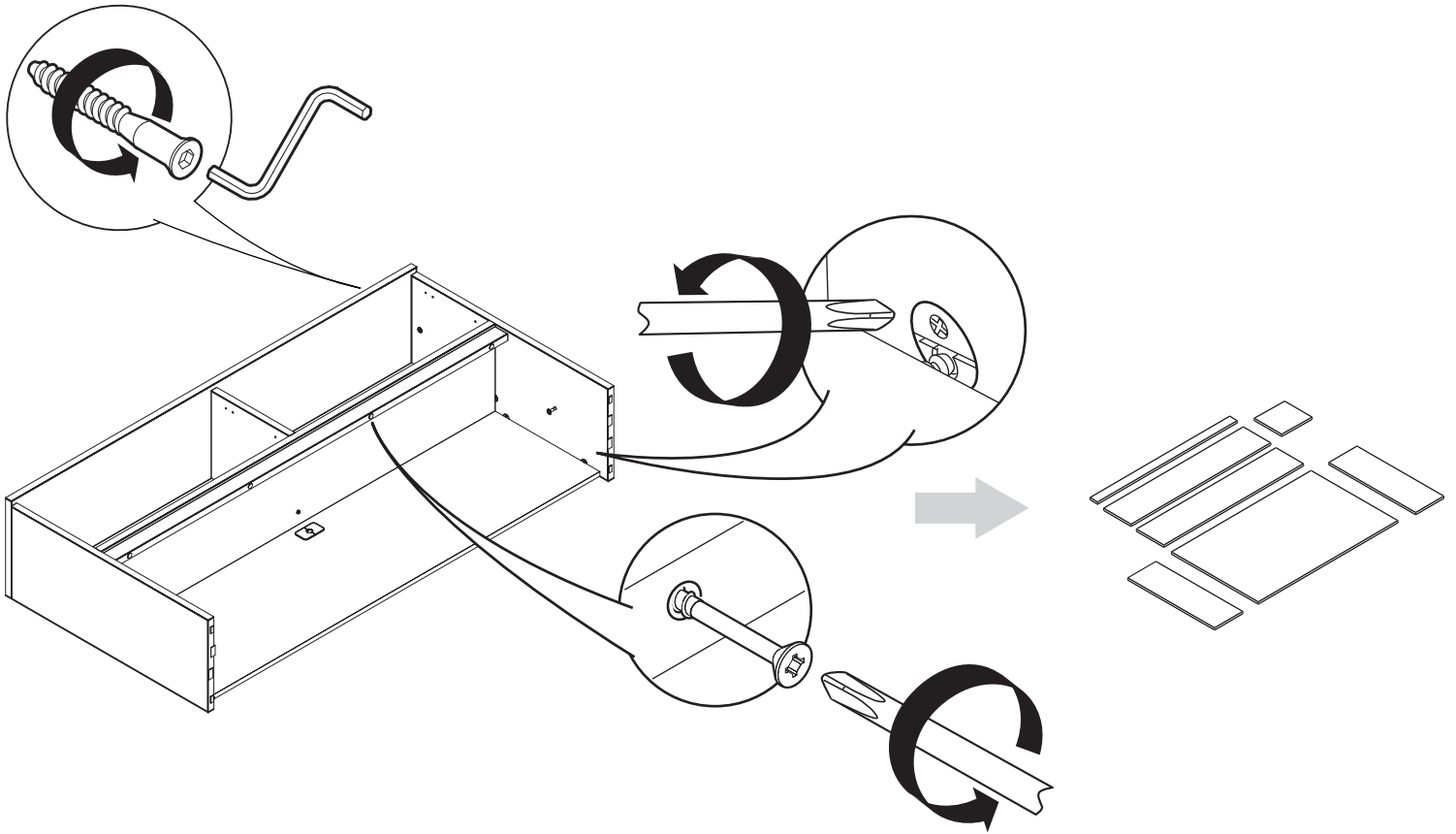
C



D



E



F

