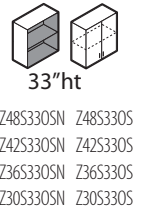
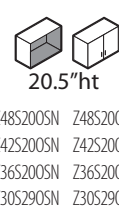
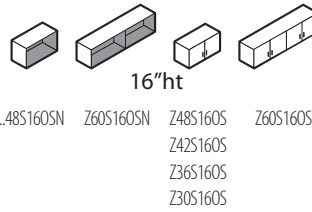




ZIRA

Overhead Storage



Disassembly Instructions

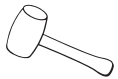
TOOLS REQUIRED



ALLEN KEY
Size #5



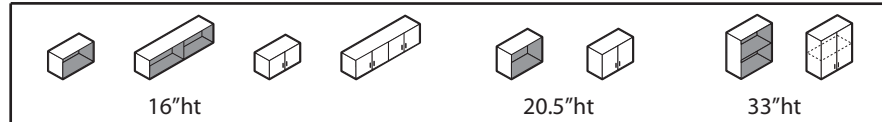
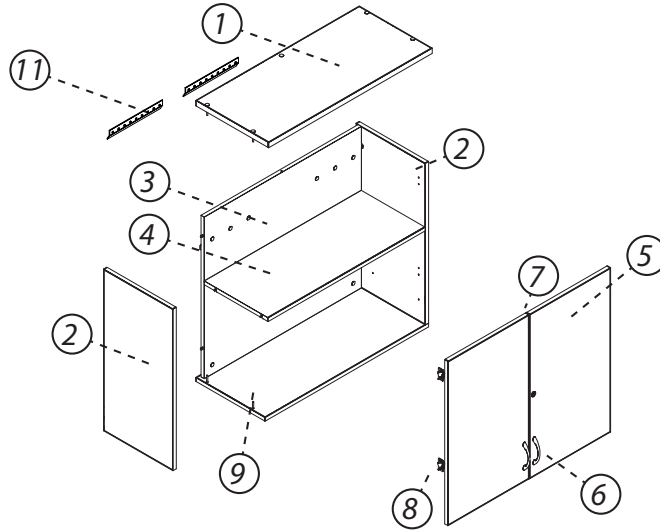
PHILLIPS
Screwdriver size #2



Rubber Mallet



Safety Glasses



ITEM	DESCRIPTION	QUANTITIES								MATERIAL
		16"ht	20.5"ht	33"ht	16"ht	20.5"ht	33"ht	16"ht	20.5"ht	
1	TOP	1	1	1	1	1	1	1	1	PARTICLEBOARD
2	SIDE	2	2	2	2	2	2	2	2	PARTICLEBOARD
3	BACK	1	1	1	1	1	1	1	1	PARTICLEBOARD
4	SHELF							1	1	PARTICLEBOARD
5	DOOR			2	4		2		2	PARTICLEBOARD
6	HANDLES			2	4		2		2	ALUMIUM
7	DOOR LOCK MECHANISM			1	2		1		1	STEEL
8	HINGES			4	8		4		4	STEEL
9	BOTTOM	1	1	1	1	1	1	1	1	PLASTIC
10	SCREWS/BOLTS	17	22	27 - 37	28	32 - 43	32 - 43	35	50	STEEL
11	HANGING RAIL	2	2	2	2	2	2	2	2	STEEL

Please contact Global Customer Care at 905-660-5101 for any questions or concerns.

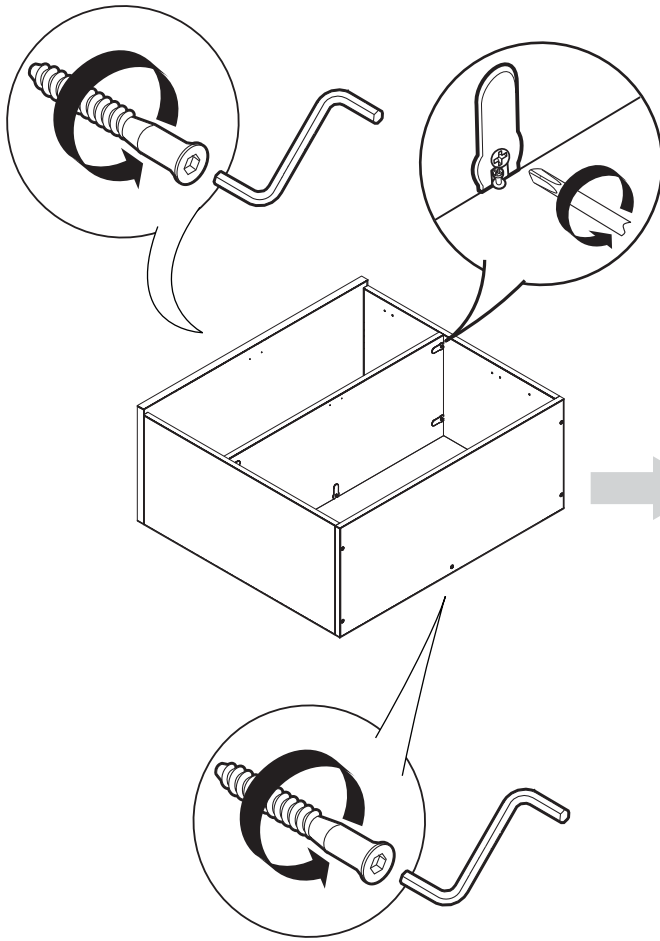
STEPS

- A** Unscrew and remove steel Hanging Rail from back panel. For units w/door: Remove door by pressing on back of hinges and pulling doors forward.
- B** For units w/door: Unscrew and remove hinges, handles and door lock mechanism from doors.
- C** Turn unit. Unscrew door stopper.
- D** Unscrew and remove Top and Bottom.. Untighten Blum Connectors.
- E** Unscrew Blum bolts.

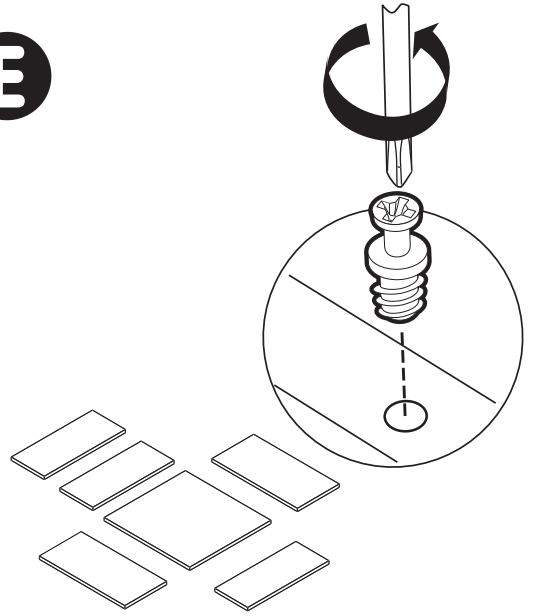
NOTE: Any alterations to listed components will void the manufacturer's warranty. The manufacturer will not be responsible for any damage or bodily harm caused by alterations in accordance with national or local electrical codes and manufacturer's specifications. In accordance with the manufacturer's policy of continual product improvement, the product presented in this document is subject to change without notice or obligation.

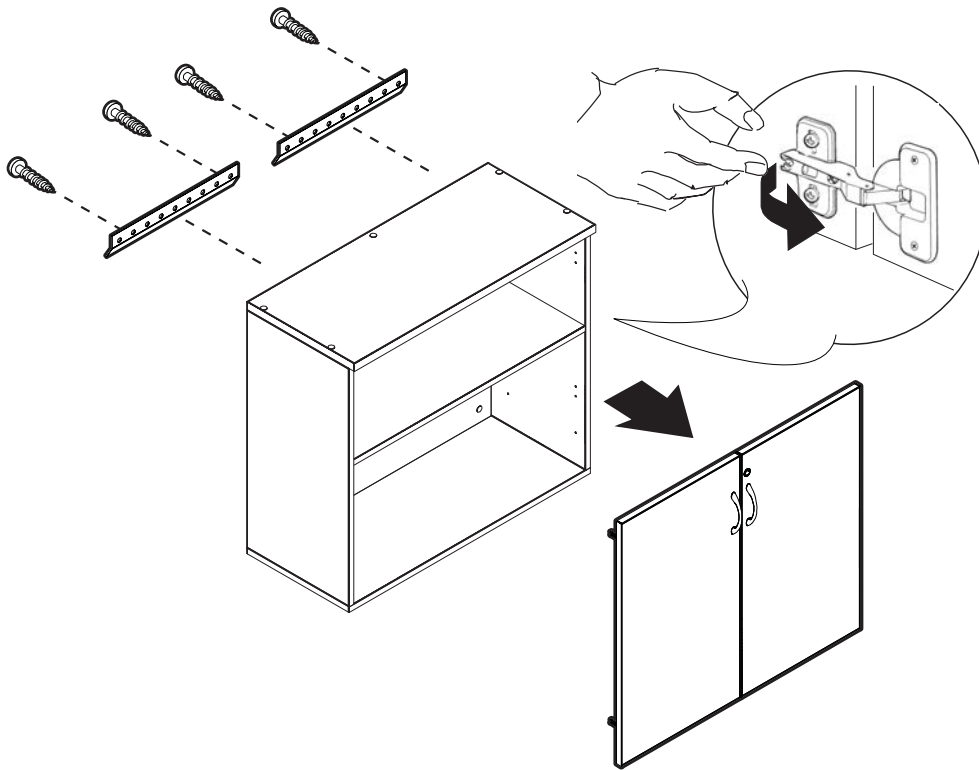
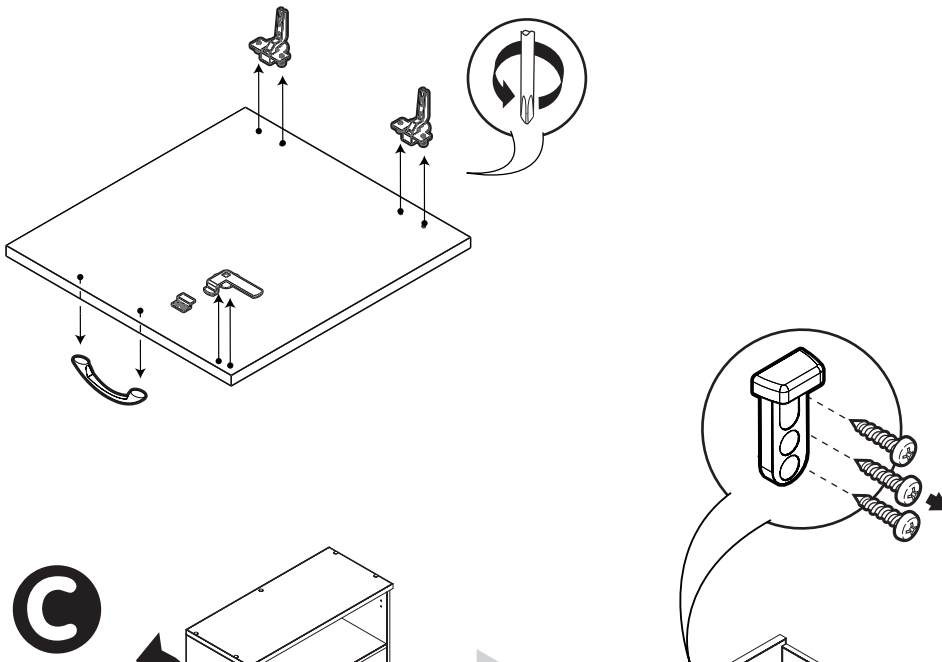
ZDIS 41 rev: 00

D



E



A**B****C**