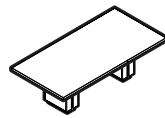
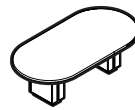




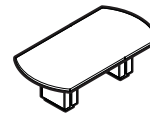
ZIRA
Boardroom Tables



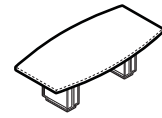
Rectangular
Z4896...288REE
Z6096...288REE



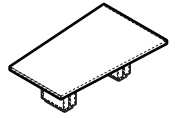
Race Track
Z4896...288RTE
Z6096...288RTE



Bow End
Z4896...288BW
Z6096...288BW



Boat-Shaped
Z4896...288BE
Z6096...288BE



Wedge
Z4896...288WE
Z6096...288WE

Disassembly Instructions

TOOLS REQUIRED



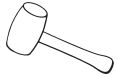
WRENCH
Size #16 or 5/8"



ALLEN KEY
Size #5



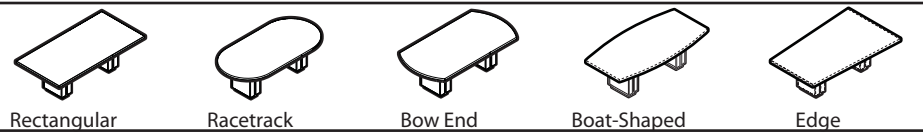
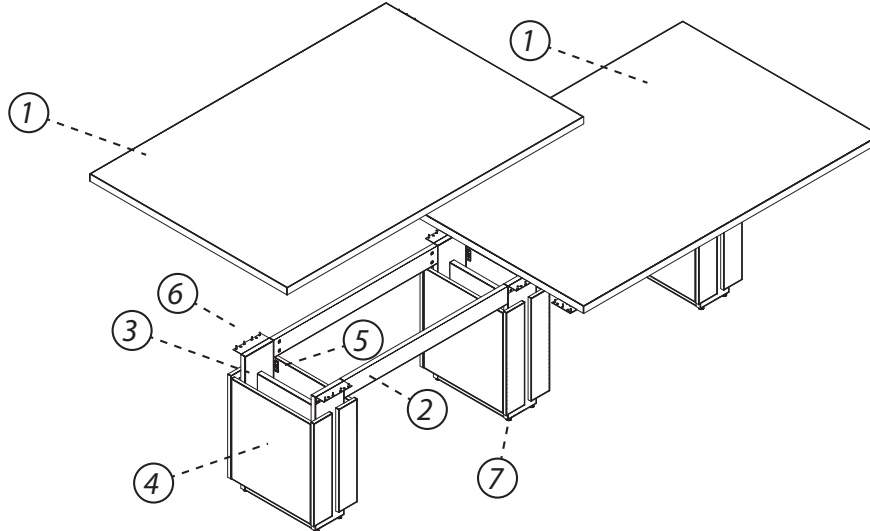
PHILLIPS
Screwdriver size #2



Rubber Mallet



Safety Glasses



ITEM	DESCRIPTION	QUANTITIES															MATERIAL
		96" w 120" to 168" w 192" to 288" w			96" w 120" to 168" w 192" to 288" w			96" w 120" to 168" w 192" to 288" w			96" w 120" to 168" w 192" to 288" w			96" w 120" to 168" w 192" to 288" w			
1	TOP	1	2	3	1	2	3	1	2	3	1	2	3	1	2	3	PARTICLEBOARD
2	VALENCE	2	4	6	2	4	6	2	4	6	2	4	6	2	4	6	PARTICLEBOARD
3	BASE CHASSI	2	3	4	2	3	4	2	3	4	2	3	4	2	3	4	PARTICLEBOARD
4	BASE DOOR	2	3	4	2	3	4	2	3	4	2	3	4	2	3	4	PARTICLEBOARD
5	HINGES	8	12	16	8	12	16	8	12	16	8	12	16	8	12	16	STEEL
6	BRACKET, PLATE	20	32	50	20	32	50	20	32	50	20	32	50	20	32	50	STEEL
7	LEVELER	8	12	16	8	12	16	8	12	16	8	12	16	8	12	16	STEEL
8	SCREWS/BOLTS	80	144	252	80	144	252	80	144	252	80	144	252	80	144	252	STEEL

Please contact Global Customer Care at 905-660-5101 for any questions or concerns.

STEPS

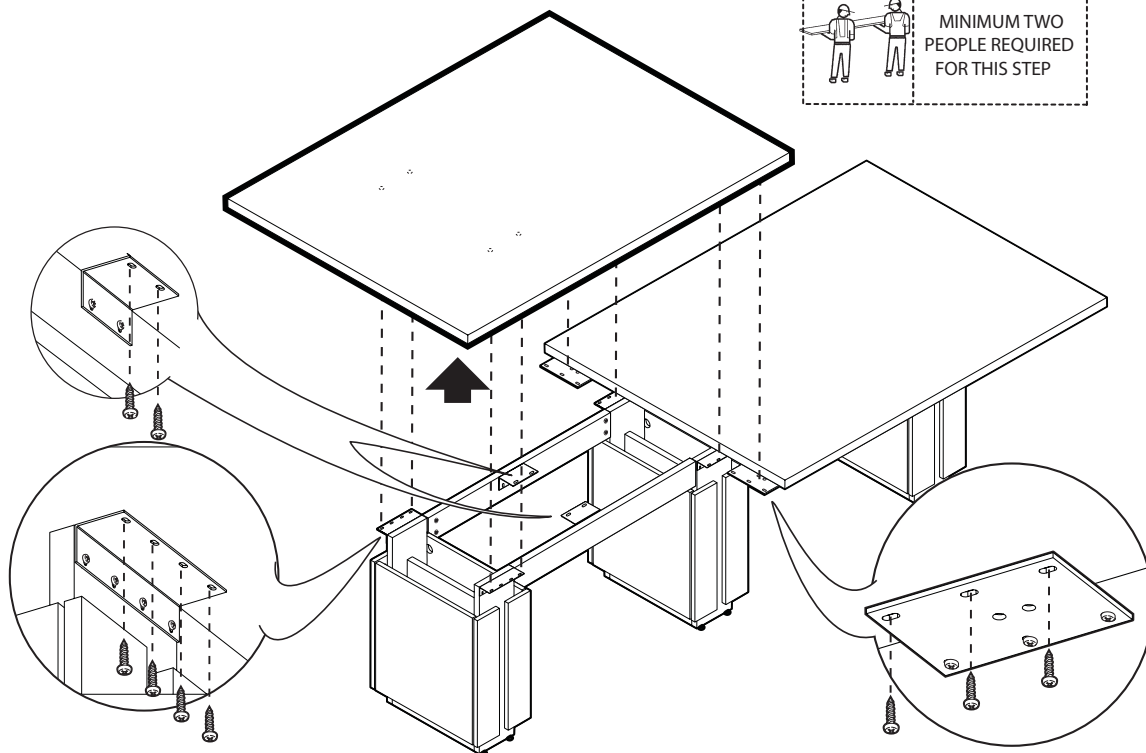
- A** Unscrew and remove top.
- B** Unscrew and remove brackets and plates from valence. Untighten MiniFix Connectors and remove valence.
- C** Unscrew and remove brackets and plates from base. Unscrew and remove Minifix Bolt.
- D** Remove door by pressing on back of hinges and pulling doors forward. Unscrew and remove hinges from doors.
- E** Turn Base. Untighten Blum Connector. Unscrew panels using Allen Key.
- F** Unscrew and remove Blum Bolt.

NOTE: Any alterations to listed components will void the manufacturer's warranty. The manufacturer will not be responsible for any damage or bodily harm caused by alterations in accordance with national or local electrical codes and manufacturer's specifications. In accordance with the manufacturer's policy of continual product improvement, the product presented in this document is subject to change without notice or obligation.

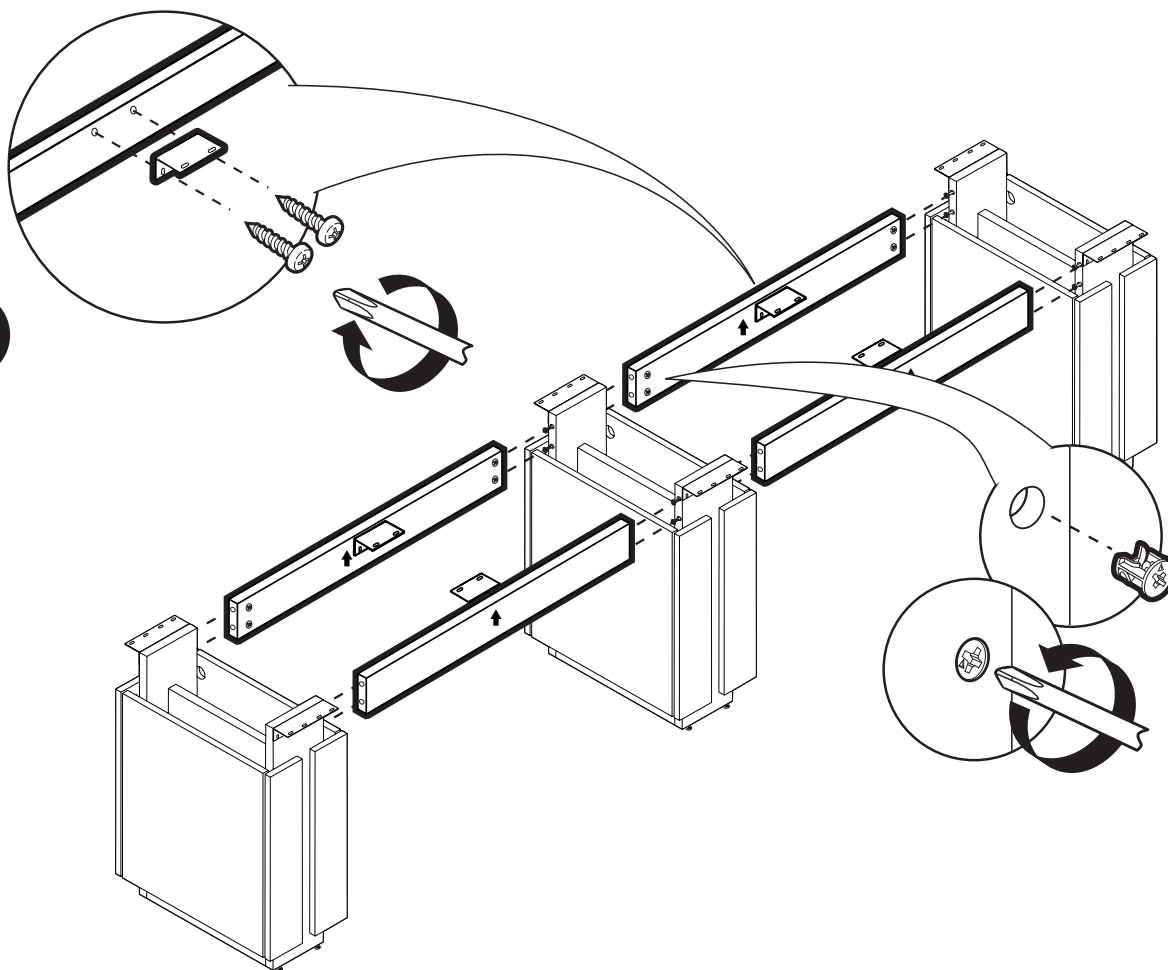
ZDIS 45 rev: 00

A

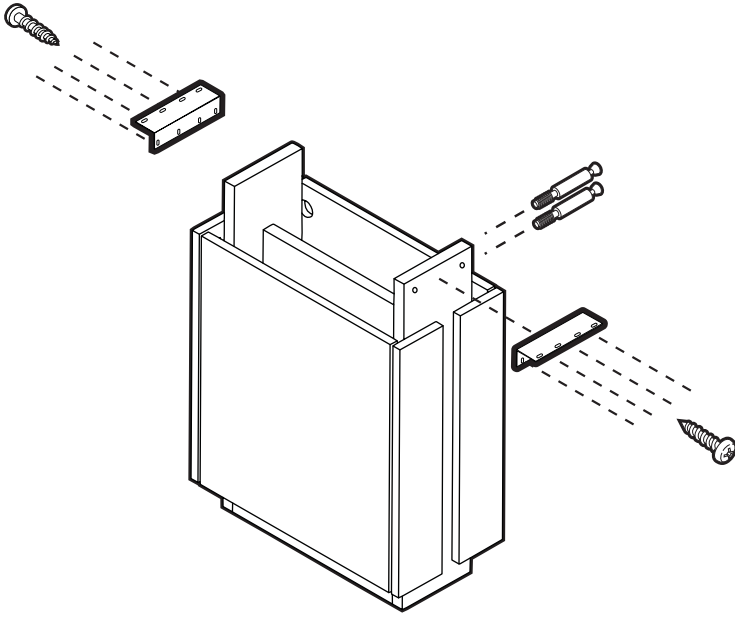
MINIMUM TWO
PEOPLE REQUIRED
FOR THIS STEP



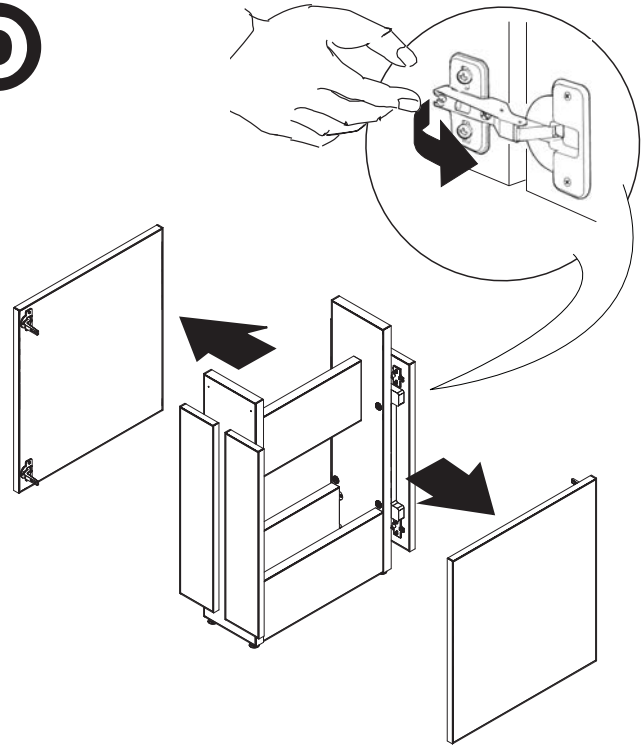
B



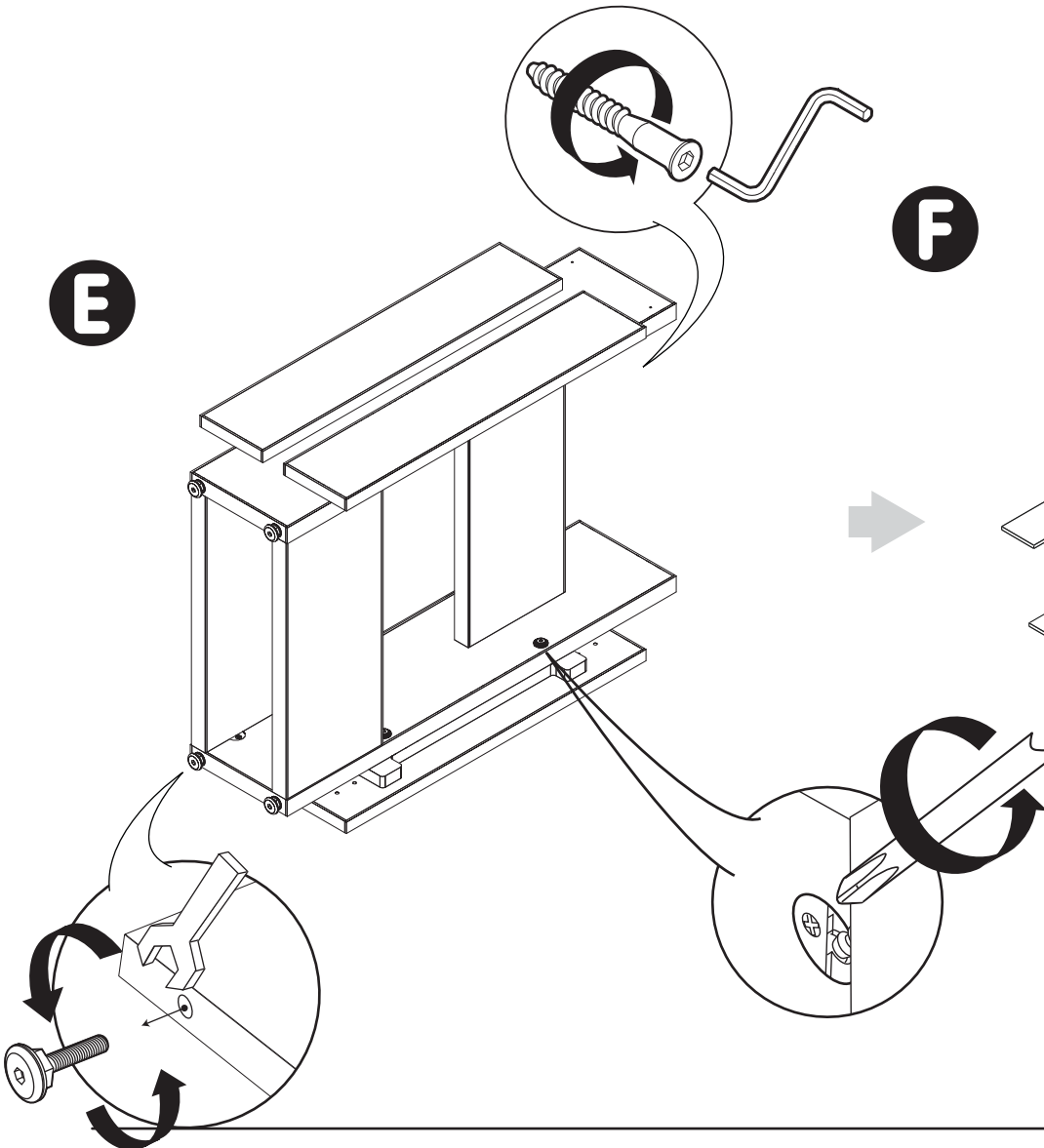
C



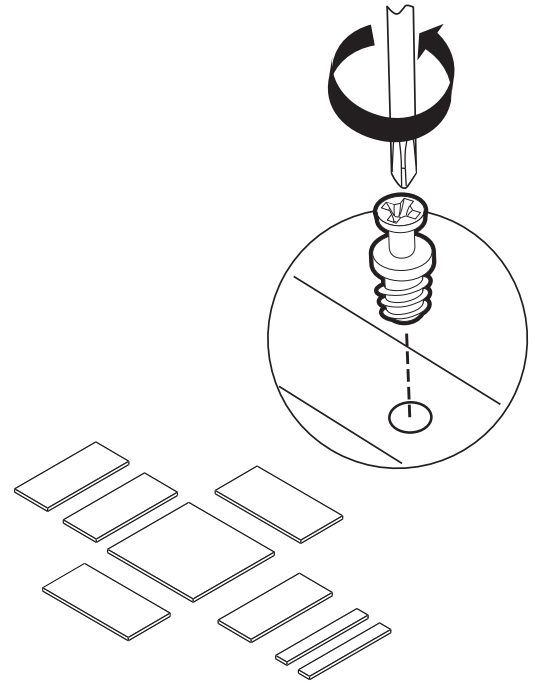
D



E



F



G