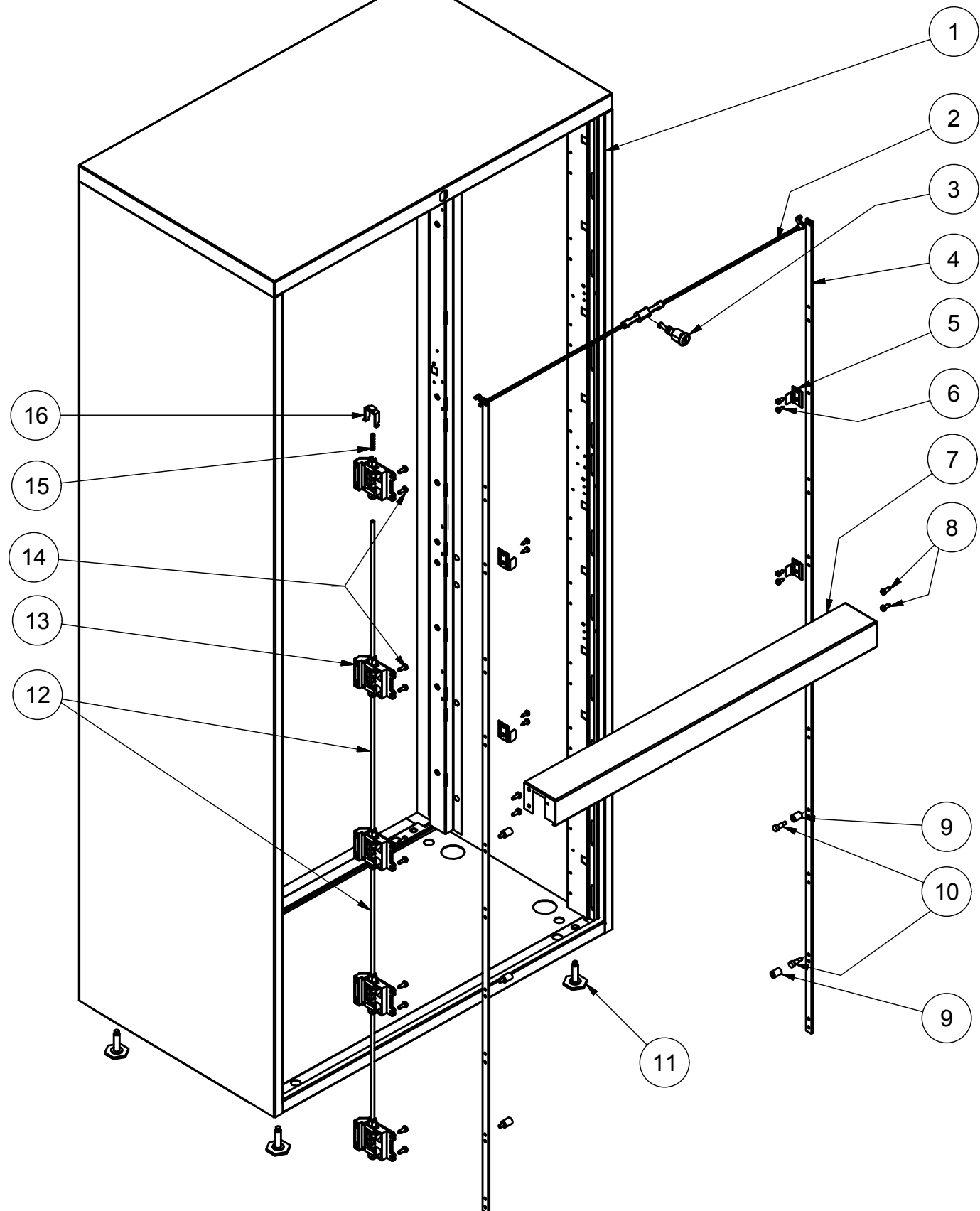
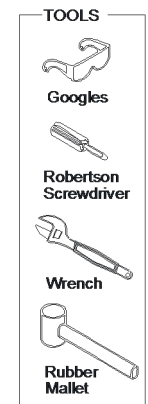


# LATERAL CASE



Item#	Description	Qty	Material
1	Case	1	Steel
2	Lock bar assembly	1	Steel
3	Lock house / lock core / horseshoe clip	1	Steel
4	Lock bar	2	Steel
5	Lock bracket	4	Steel
6	Lock bracket screws	8	Steel
7	Rail	1	Steel
8	Rail screws	2	Steel
9	Roller lock bar	6	Plastic (PVC)
10	Lock bar screw	6	Steel
11	Levellers	4	Steel
12	Interlock rod	4	Steel
13	Interlock assembly	5	Plastic (PVC)
14	Interlock assembly screws	10	Steel
15	Interlock spring	1	Steel
16	Interlock top "U" bracket	1	Plastic (PVC)



## DISASSEMBLY INSTRUCTIONS

Remove rail screws (8) and rail (7)

### \*\* DISASSEMBLY THE LOCK BARS

Remove the Lock house / lock core / horseshoe clip (3)  
 lock bar assembly (2) and lock bar (4)  
 From lock bar (4) RH and LH, remove lock bracket screws (6)  
 and lock brackets (5)  
 Remove lock bar screws (10) and roller lock bar (9)

### \*\* DISASSEMBLY THE INTERLOCK

Remove interlock screws (14)  
 interlock rods (12) and interlock assembly plastic blocks (13)  
 Remove Interlock top "u" bracket (16) and interlock spring (15)

Unscrew the levellers (11)