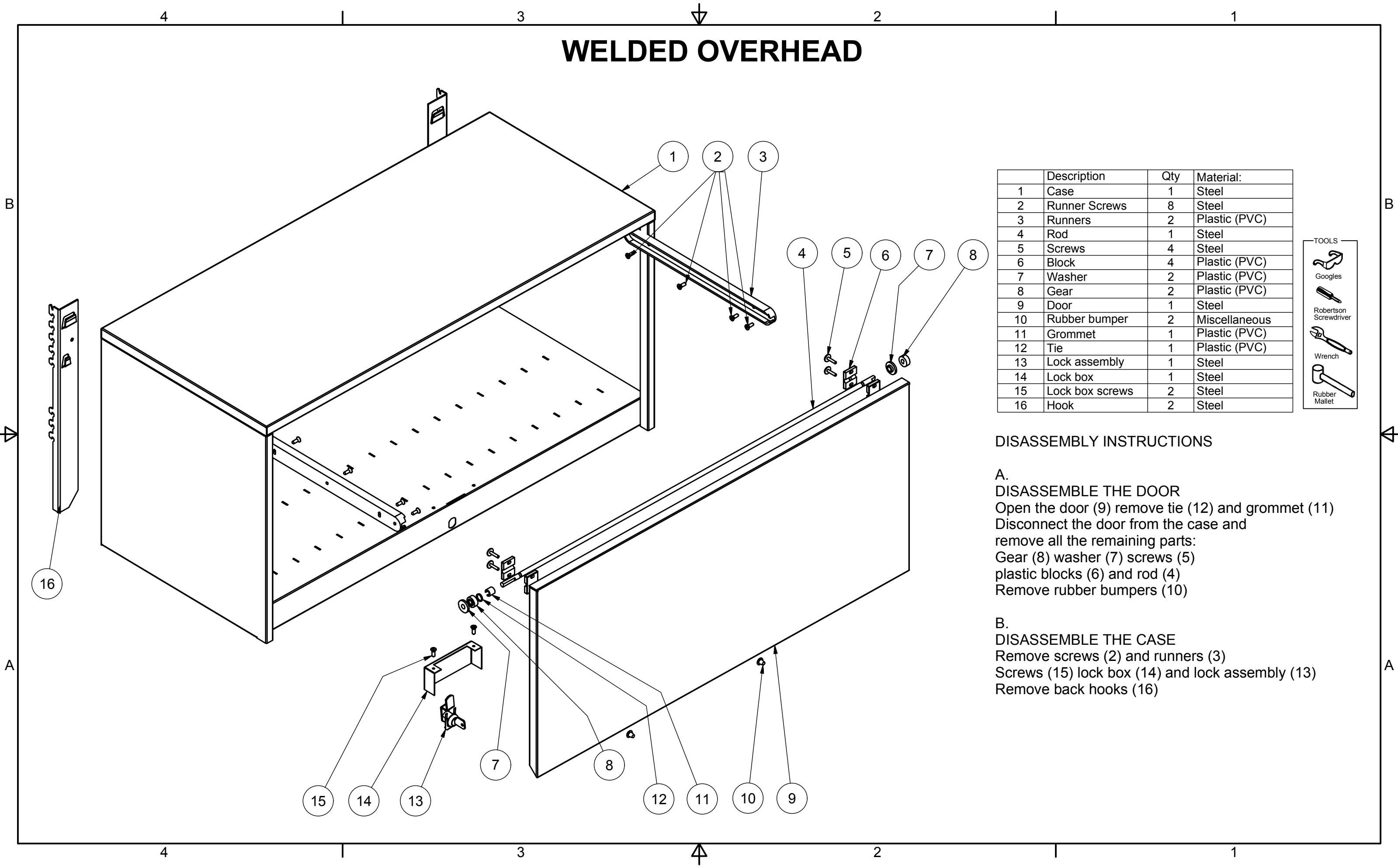


WELDED OVERHEAD



	Description	Qty	Material:
1	Case	1	Steel
2	Runner Screws	8	Steel
3	Runners	2	Plastic (PVC)
4	Rod	1	Steel
5	Screws	4	Steel
6	Block	4	Plastic (PVC)
7	Washer	2	Plastic (PVC)
8	Gear	2	Plastic (PVC)
9	Door	1	Steel
10	Rubber bumper	2	Miscellaneous
11	Grommet	1	Plastic (PVC)
12	Tie	1	Plastic (PVC)
13	Lock assembly	1	Steel
14	Lock box	1	Steel
15	Lock box screws	2	Steel
16	Hook	2	Steel

- TOOLS
- Googles
 - Robertson Screwdriver
 - Wrench
 - Rubber Mallet

DISASSEMBLY INSTRUCTIONS

- A.**
DISASSEMBLE THE DOOR
 Open the door (9) remove tie (12) and grommet (11)
 Disconnect the door from the case and
 remove all the remaining parts:
 Gear (8) washer (7) screws (5)
 plastic blocks (6) and rod (4)
 Remove rubber bumpers (10)
- B.**
DISASSEMBLE THE CASE
 Remove screws (2) and runners (3)
 Screws (15) lock box (14) and lock assembly (13)
 Remove back hooks (16)